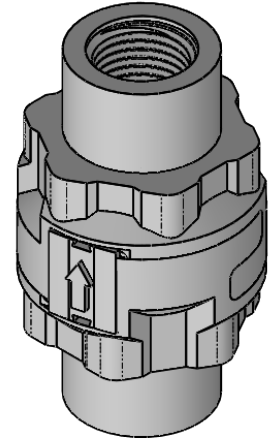
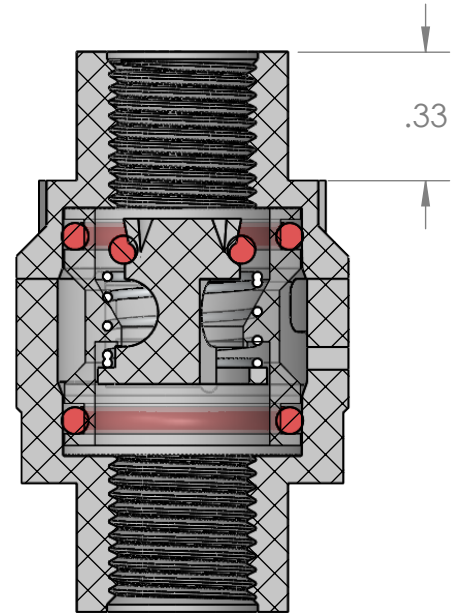
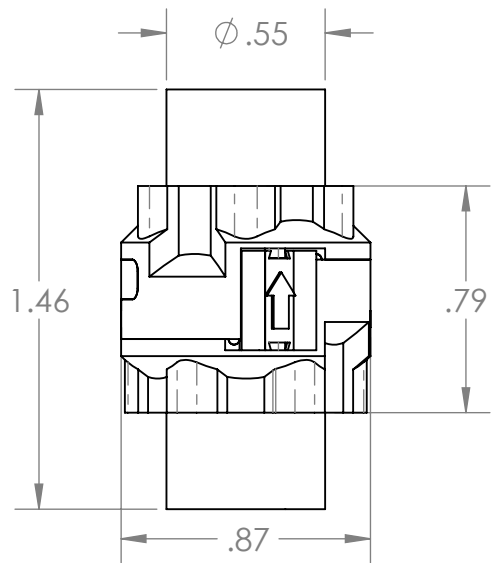


SECTION A-A  
SCALE 2 : 1



For Reference Only

PROPRIETARY AND CONFIDENTIAL

**Description**

THE INFORMATION CONTAINED IN THIS DRAWING IS THE SOLE PROPERTY OF INDUSTRIAL SPECIALTIES MFG. AND IS MED SPECIALITES. ANY REPRODUCTION IN PART OR AS A WHOLE WITHOUT THE WRITTEN PERMISSION OF INDUSTRIAL SPECIALTIES MFG. AND IS MED SPECIALITES IS PROHIBITED.

1/8" Female BSPP Modular Check Valve,  
30% Glass-Filled Polypropylene

NAME	DATE
M.E.	9/24/2018

**PART#**  
CVIS-G2F

**REV**  
1

SHEET 1 OF 1

SCALE: 3:2

DO NOT SCALE DRAWING

**ISM** Industrial Specialties Mfg.  
& IS MED Specialites (ISM)

industrialspec.com | 800-781-8486