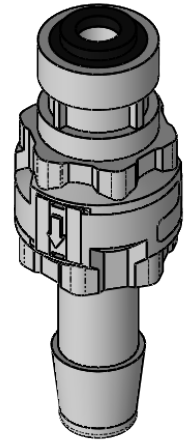
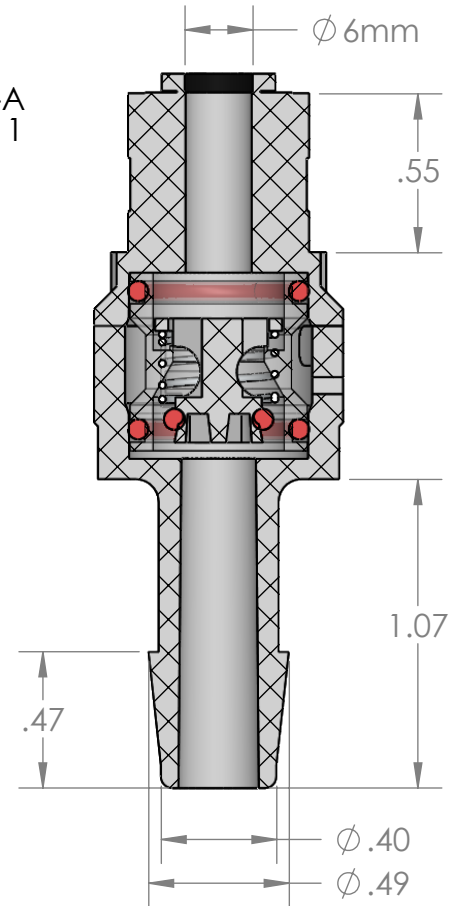


SECTION A-A
SCALE 1.5 : 1



For Reference Only

PROPRIETARY AND CONFIDENTIAL

Description

6mm Push-In x 3/8" Hose Barb Modular
Check Valve, Flow from Push to Barb,
30% Glass-Filled Polypropylene

THE INFORMATION CONTAINED IN THIS DRAWING IS THE SOLE PROPERTY OF INDUSTRIAL SPECIALTIES MFG. AND IS MED SPECIALITES. ANY REPRODUCTION IN PART OR AS A WHOLE WITHOUT THE WRITTEN PERMISSION OF INDUSTRIAL SPECIALTIES MFG. AND IS MED SPECIALITES IS PROHIBITED.

NAME DATE
DRAWN BY: M.E. 10/4/2018

SHEET 1 OF 1

SCALE: 1:1

DO NOT SCALE DRAWING

PART#
CVIS-6MM-38

REV
1

ISM Industrial Specialties Mfg.
& IS MED Specialties (ISM)

industrialspec.com | 800-781-8486