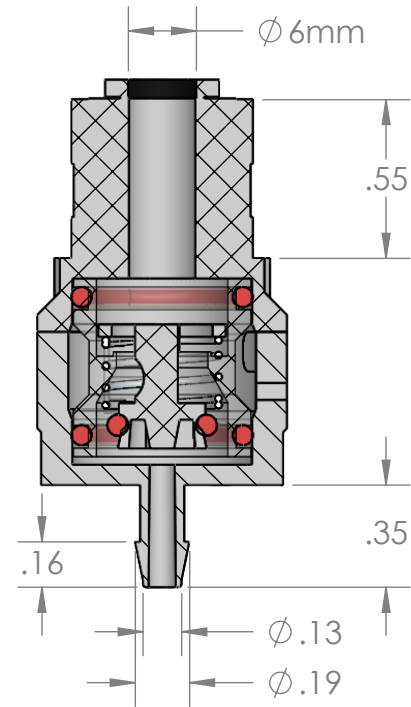
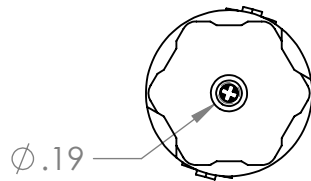
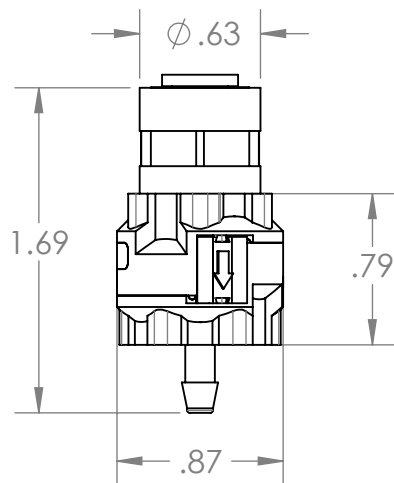


SECTION A-A
SCALE 1.5 : 1



For Reference Only

PROPRIETARY AND CONFIDENTIAL

Description

THE INFORMATION CONTAINED IN THIS DRAWING IS THE SOLE PROPERTY OF INDUSTRIAL SPECIALTIES MFG. AND IS MED SPECIALITES. ANY REPRODUCTION IN PART OR AS A WHOLE WITHOUT THE WRITTEN PERMISSION OF INDUSTRIAL SPECIALTIES MFG. AND IS MED SPECIALITES IS PROHIBITED.

6mm Push-In x 1/8" Hose Barb Modular Check Valve, Flow from Push to Barb, 30% Glass-Filled Polypropylene

NAME DATE
DRAWN BY: M.E. 10/3/2018

PART#
CVIS-6MM-18

REV
1

SHEET 1 OF 1

SCALE: 1:1

DO NOT SCALE DRAWING

ISM Industrial Specialties Mfg. & IS MED Specialites (ISM)
industrialspec.com | 800-781-8486