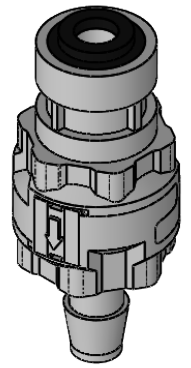
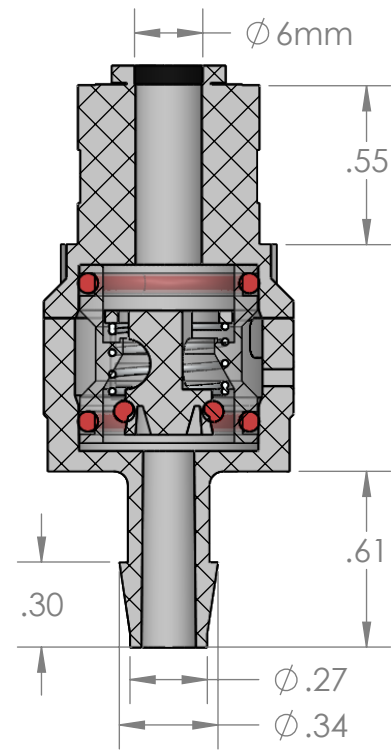
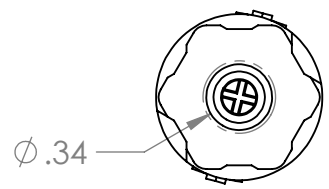
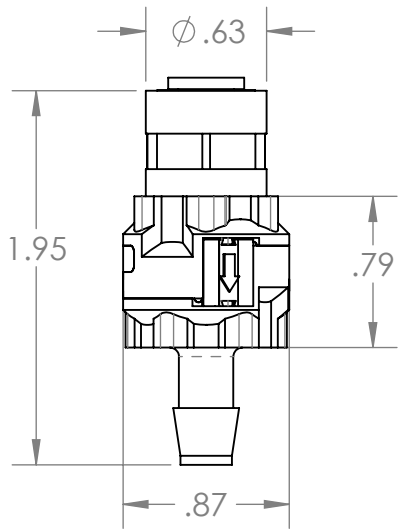



SECTION A-A  
SCALE 1.5 : 1



For Reference Only

<b>PROPRIETARY AND CONFIDENTIAL</b>	<b>Description</b>	NAME	DATE	<b>PART#</b>	REV
THE INFORMATION CONTAINED IN THIS DRAWING IS THE SOLE PROPERTY OF INDUSTRIAL SPECIALTIES MFG. AND IS MED SPECIALITES. ANY REPRODUCTION IN PART OR AS A WHOLE WITHOUT THE WRITTEN PERMISSION OF INDUSTRIAL SPECIALTIES MFG. AND IS MED SPECIALITES IS PROHIBITED.	6mm Push-In x 1/4" Hose Barb Modular Check Valve, Flow from Push to Barb, 30% Glass-Filled Polypropylene	DRAWN BY: M.E.	10/3/2018	CVIS-6MM-14	1
		SHEET 1 OF 1		 <b>Industrial Specialties Mfg. &amp; IS MED Specialites (ISM)</b> <a href="http://industrialspec.com">industrialspec.com</a>   800-781-8486	
		SCALE: 1:1			
		DO NOT SCALE DRAWING			