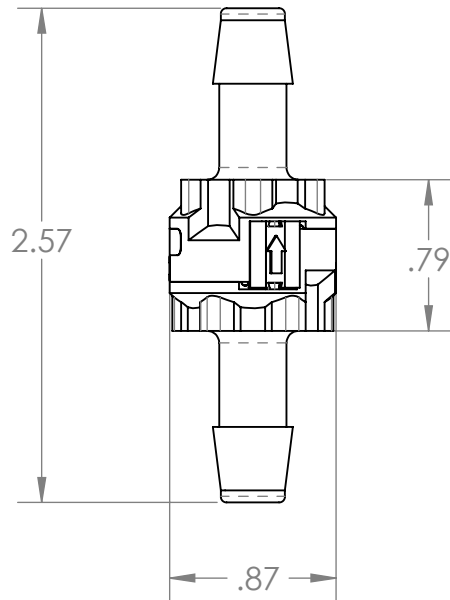
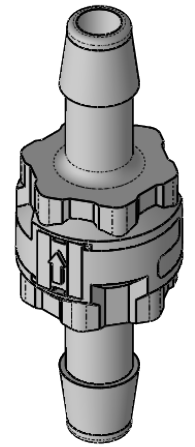
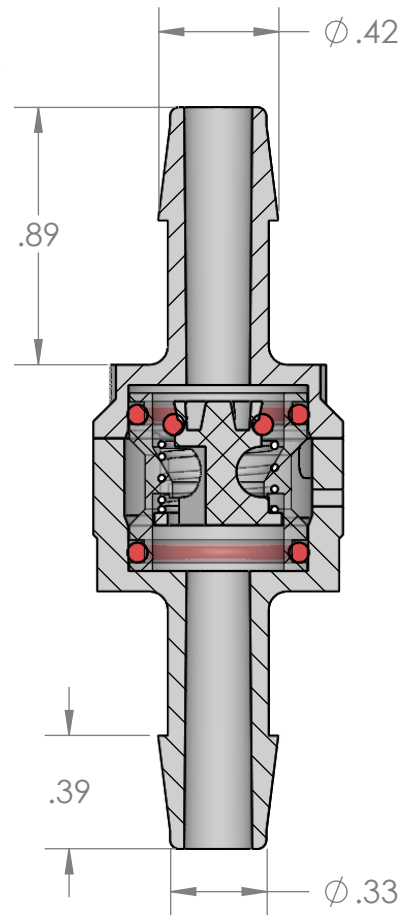


SECTION A-A
SCALE 1.5 : 1



For Reference Only

PROPRIETARY AND CONFIDENTIAL

Description

5/16" Hose Barb Modular Check Valve,
30% Glass-Filled Polypropylene

THE INFORMATION CONTAINED IN THIS DRAWING IS THE SOLE PROPERTY OF INDUSTRIAL SPECIALTIES MFG. AND IS MED SPECIALITES. ANY REPRODUCTION IN PART OR AS A WHOLE WITHOUT THE WRITTEN PERMISSION OF INDUSTRIAL SPECIALTIES MFG. AND IS MED SPECIALITES IS PROHIBITED.

NAME	DATE
M.E.	9/24/2018

PART#
CVIS-516

REV
1

SHEET 1 OF 1

SCALE: 1:1

DO NOT SCALE DRAWING

ISM Industrial Specialties Mfg. & IS MED Specialites (ISM)
industrialspec.com | 800-781-8486