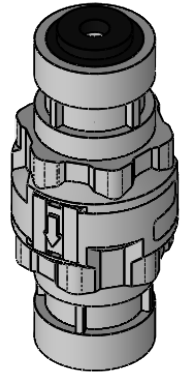
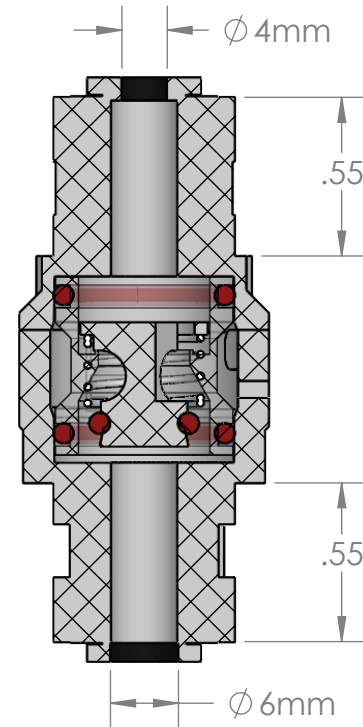


SECTION A-A
SCALE 1.5 : 1



For Reference Only

PROPRIETARY AND CONFIDENTIAL

Description

THE INFORMATION CONTAINED IN THIS DRAWING IS THE SOLE PROPERTY OF INDUSTRIAL SPECIALTIES MFG. AND IS MED SPECIALITES. ANY REPRODUCTION IN PART OR AS A WHOLE WITHOUT THE WRITTEN PERMISSION OF INDUSTRIAL SPECIALTIES MFG. AND IS MED SPECIALITES IS PROHIBITED.

4mm Push-In x 6mm Push-In Modular Check Valve,
Flow from 4mm to 6mm,
30% Glass-Filled Polypropylene

NAME DATE
DRAWN BY: M.E. 10/8/2018

SHEET 1 OF 1

SCALE: 1:1

DO NOT SCALE DRAWING

PART#
CVIS-4MM-6MM

REV
1



industrialspec.com | 800-781-8486