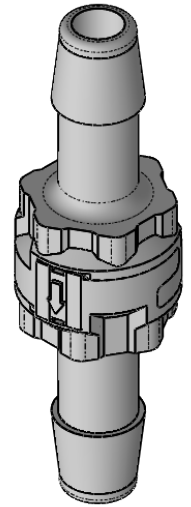
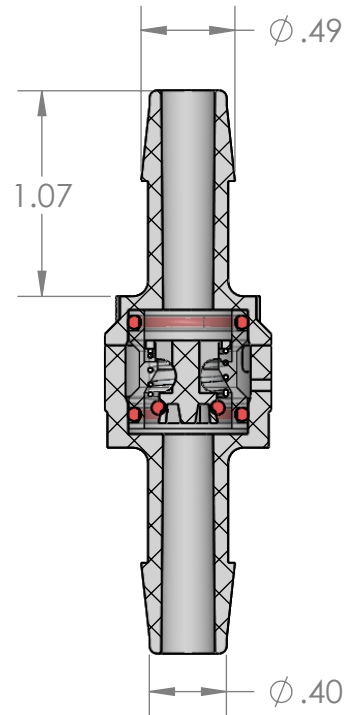
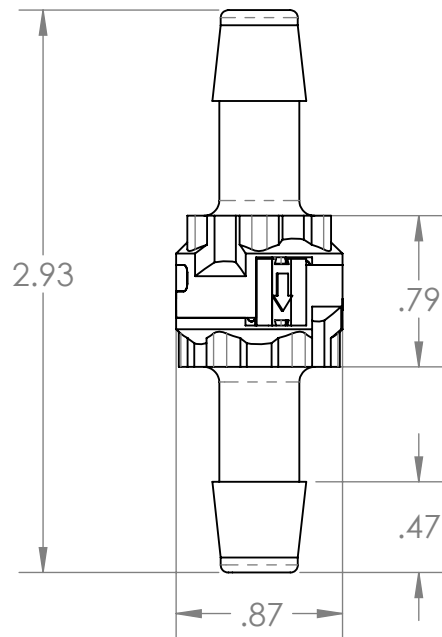


SECTION A-A



For Reference Only

<p>PROPRIETARY AND CONFIDENTIAL</p>	<p>Description</p>	<p>NAME</p>	<p>DATE</p>	<p>PART#</p>	<p>REV</p>
<p>THE INFORMATION CONTAINED IN THIS DRAWING IS THE SOLE PROPERTY OF INDUSTRIAL SPECIALTIES MFG. AND IS MED SPECIALITES. ANY REPRODUCTION IN PART OR AS A WHOLE WITHOUT THE WRITTEN PERMISSION OF INDUSTRIAL SPECIALTIES MFG. AND IS MED SPECIALITES IS PROHIBITED.</p>	<p>3/8" Hose Barb Modular Check Valve, 30% Glass-Filled Polypropylene</p>	<p>DRAWN BY: M.E.</p>	<p>9/24/2018</p>	<p>CVIS-38</p>	<p>1</p>
		<p>SHEET 1 OF 1</p>		<p>ISM Industrial Specialties Mfg. & IS MED Specialites (ISM) industrialspec.com 800-781-8486</p>	
		<p>SCALE: 1:1</p>			
		<p>DO NOT SCALE DRAWING</p>			