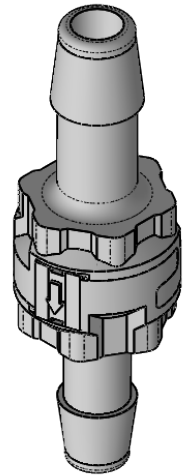
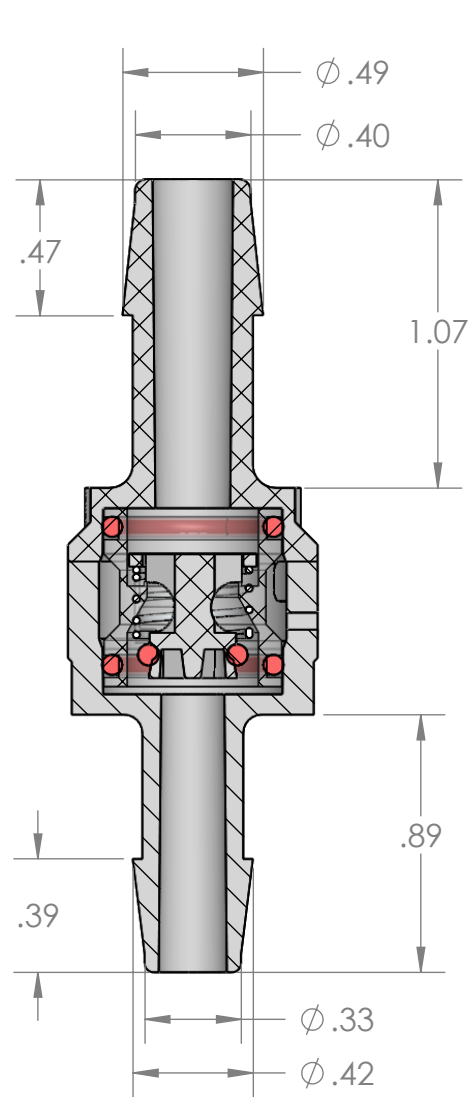
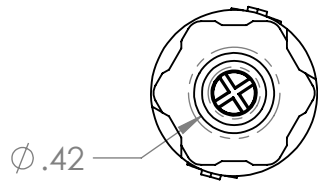
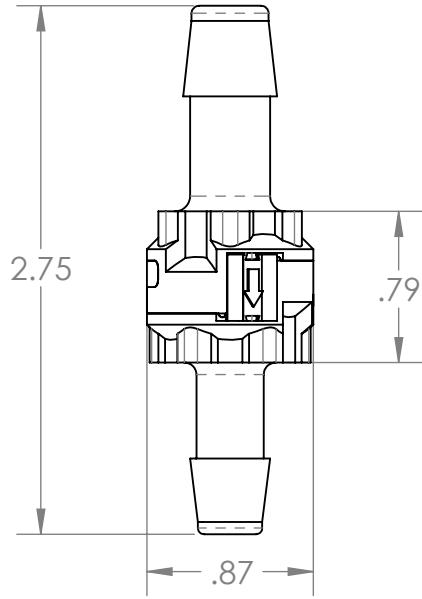


SECTION A-A  
SCALE 1.5 : 1



For Reference Only

PROPRIETARY AND CONFIDENTIAL

**Description**

THE INFORMATION CONTAINED IN THIS DRAWING IS THE SOLE PROPERTY OF INDUSTRIAL SPECIALTIES MFG. AND IS MED SPECIALITES. ANY REPRODUCTION IN PART OR AS A WHOLE WITHOUT THE WRITTEN PERMISSION OF INDUSTRIAL SPECIALTIES MFG. AND IS MED SPECIALITES IS PROHIBITED.

3/8" Hose Barb x 5/16" Hose Barb Modular Check Valve, Flow from 3/8" to 5/16", 30% Glass-Filled Polypropylene

NAME	DATE
M.E.	9/25/2018

PART#  
CVIS-38-516

REV  
1

SHEET 1 OF 1

SCALE: 1:1

DO NOT SCALE DRAWING

**ISM** Industrial Specialties Mfg. & IS MED Specialites (ISM)  
industrialspec.com | 800-781-8486