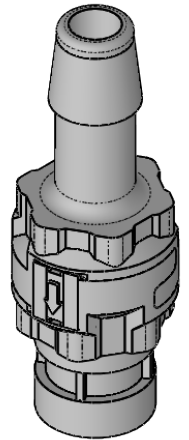
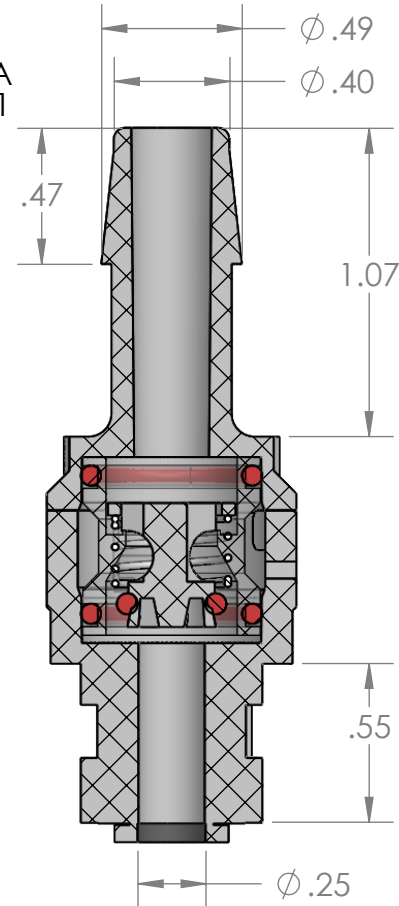


SECTION A-A  
SCALE 1.5 : 1



For Reference Only

PROPRIETARY AND CONFIDENTIAL

**Description**

THE INFORMATION CONTAINED IN THIS DRAWING IS THE SOLE PROPERTY OF INDUSTRIAL SPECIALTIES MFG. AND IS MED SPECIALITES. ANY REPRODUCTION IN PART OR AS A WHOLE WITHOUT THE WRITTEN PERMISSION OF INDUSTRIAL SPECIALTIES MFG. AND IS MED SPECIALITES IS PROHIBITED.

3/8" Hose Barb x 1/4" Push-In Modular Check Valve, Flow from Barb to Push, 30% Glass-Filled Polypropylene

NAME	DATE
M.E.	10/9/2018

**PART#**  
CVIS-38-14P

REV  
1

SHEET 1 OF 1

SCALE: 1:1

DO NOT SCALE DRAWING



industrialspec.com | 800-781-8486