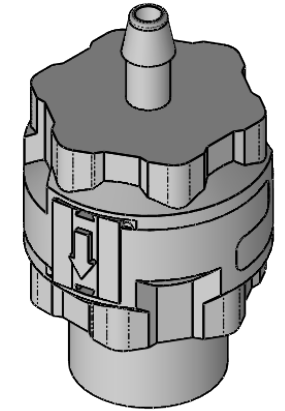
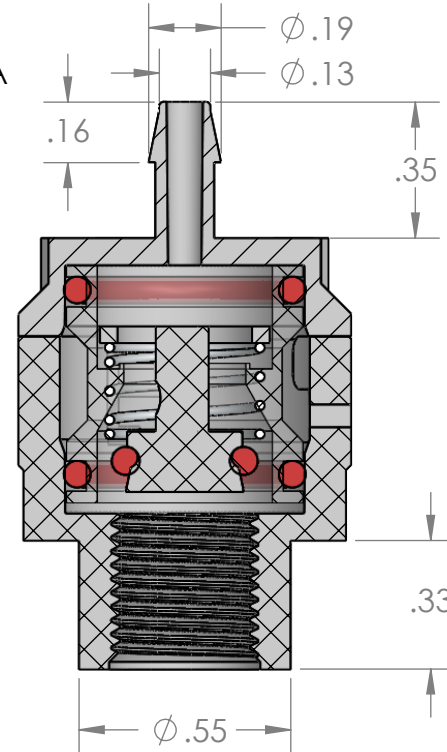


SECTION A-A
SCALE 2 : 1



For Reference Only

PROPRIETARY AND CONFIDENTIAL

Description

THE INFORMATION CONTAINED IN THIS DRAWING IS THE SOLE PROPERTY OF INDUSTRIAL SPECIALTIES MFG. AND IS MED SPECIALITES. ANY REPRODUCTION IN PART OR AS A WHOLE WITHOUT THE WRITTEN PERMISSION OF INDUSTRIAL SPECIALTIES MFG. AND IS MED SPECIALITES IS PROHIBITED.

1/8" Hose Barb x 1/8" Female BSPP Modular Check Valve, Flow from Barb to Thread, 30% Glass-Filled Polypropylene

NAME DATE
DRAWN BY: M.E. 9/25/2018

PART#
CVIS-18-G2F

REV
1

SHEET 1 OF 1

SCALE: 3:2

DO NOT SCALE DRAWING

ISM Industrial Specialties Mfg. & IS MED Specialties (ISM)
industrialspec.com | 800-781-8486