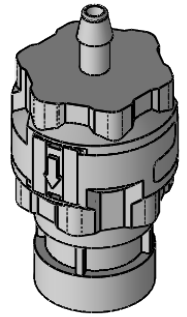
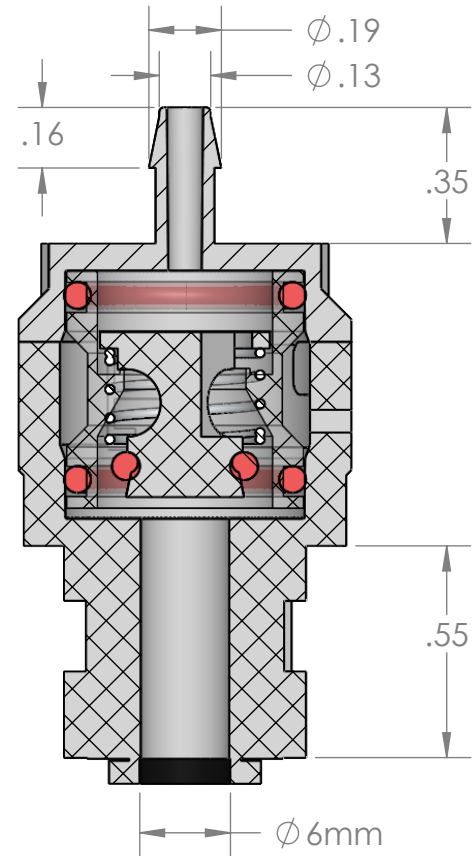
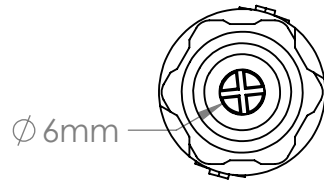
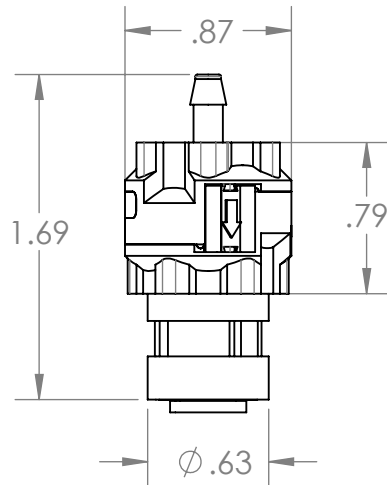


SECTION A-A  
SCALE 2 : 1



For Reference Only

PROPRIETARY AND CONFIDENTIAL

**Description**

1/8" Hose Barb x 6mm Push-In Modular  
Check Valve, Flow from Barb to Push,  
30% Glass-Filled Polypropylene

THE INFORMATION CONTAINED IN THIS  
DRAWING IS THE SOLE PROPERTY OF  
INDUSTRIAL SPECIALTIES MFG. AND  
IS MED SPECIALITES. ANY REPRODUCTION  
IN PART OR AS A WHOLE  
WITHOUT THE WRITTEN PERMISSION OF  
INDUSTRIAL SPECIALTIES MFG. AND  
IS MED SPECIALITES IS PROHIBITED.

NAME DATE  
DRAWN BY: M.E. 10/8/2018

PART#  
CVIS-18-6MM

REV  
1

SHEET 1 OF 1

SCALE: 1:1

DO NOT SCALE DRAWING

**ISM** Industrial Specialties Mfg.  
& IS MED Specialties (ISM)  
industrialspec.com | 800-781-8486