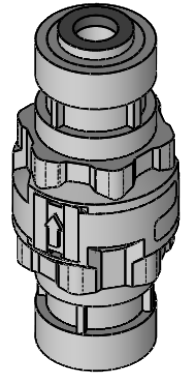
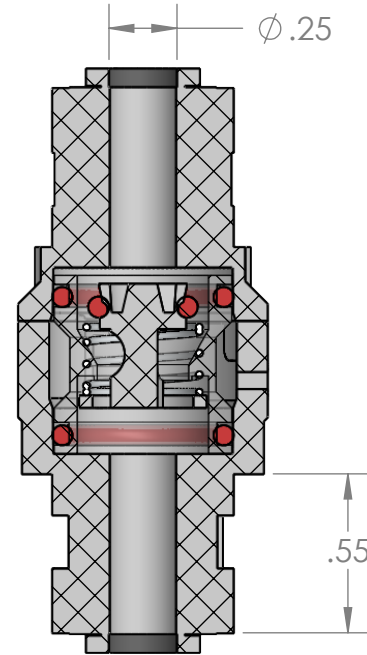


SECTION A-A



For Reference Only

PROPRIETARY AND CONFIDENTIAL

Description

1/4" Push-In Modular Check Valve,
30% Glass-Filled Polypropylene

THE INFORMATION CONTAINED IN THIS DRAWING IS THE SOLE PROPERTY OF INDUSTRIAL SPECIALTIES MFG. AND IS MED SPECIALITES. ANY REPRODUCTION IN PART OR AS A WHOLE WITHOUT THE WRITTEN PERMISSION OF INDUSTRIAL SPECIALTIES MFG. AND IS MED SPECIALITES IS PROHIBITED.

NAME	DATE
M.E.	9/24/2018

PART#
CVIS-14P

REV
1

SHEET 1 OF 1

SCALE: 3:2

DO NOT SCALE DRAWING

ISM Industrial Specialties Mfg.
& IS MED Specialites (ISM)
industrialspec.com | 800-781-8486