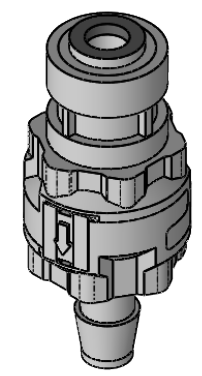
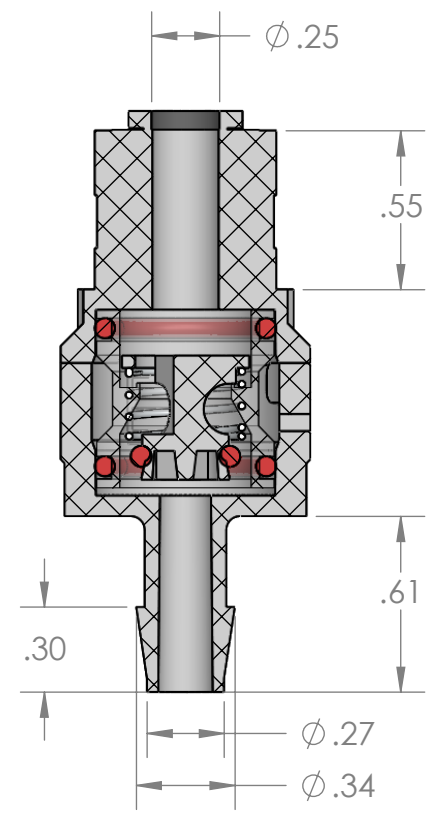



SECTION A-A
SCALE 1.5 : 1



For Reference Only

PROPRIETARY AND CONFIDENTIAL	Description	NAME	DATE	PART#	REV
THE INFORMATION CONTAINED IN THIS DRAWING IS THE SOLE PROPERTY OF INDUSTRIAL SPECIALTIES MFG. AND IS MED SPECIALITES. ANY REPRODUCTION IN PART OR AS A WHOLE WITHOUT THE WRITTEN PERMISSION OF INDUSTRIAL SPECIALTIES MFG. AND IS MED SPECIALITES IS PROHIBITED.	1/4" Push-In x 1/4" Hose Barb Modular Check Valve, Flow from Push to Barb, 30% Glass-Filled Polypropylene	DRAWN BY: M.E.	10/3/2018	CVIS-14P-14	1
		SHEET 1 OF 1		 Industrial Specialties Mfg. & IS MED Specialites (ISM) industrialspec.com 800-781-8486	
		SCALE: 1:1			
		DO NOT SCALE DRAWING			