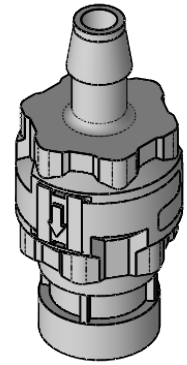
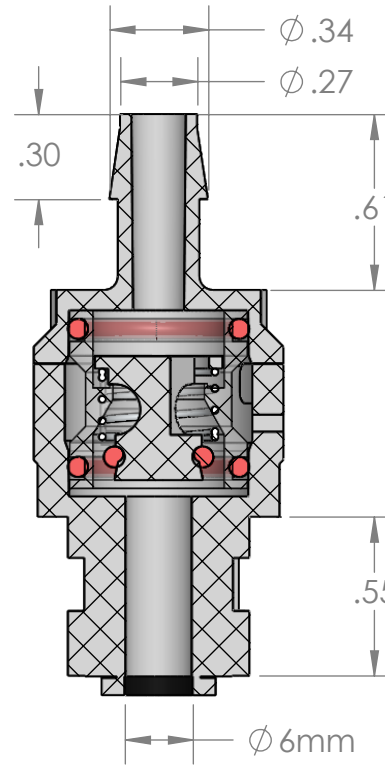


SECTION A-A
SCALE 1.5 : 1



For Reference Only

PROPRIETARY AND CONFIDENTIAL

Description

1/4" Hose Barb x 6mm Push-In Modular
Check Valve, Flow from Barb to Push,
30% Glass-Filled Polypropylene

THE INFORMATION CONTAINED IN THIS
DRAWING IS THE SOLE PROPERTY OF
INDUSTRIAL SPECIALTIES MFG. AND
IS MED SPECIALITES. ANY REPRODUCTION
IN PART OR AS A WHOLE
WITHOUT THE WRITTEN PERMISSION OF
INDUSTRIAL SPECIALTIES MFG. AND
IS MED SPECIALITES IS PROHIBITED.

NAME	DATE
M.E.	10/8/2018

PART#
CVIS-14-6MM

REV
1

SHEET 1 OF 1

SCALE: 1:1

DO NOT SCALE DRAWING

ISM Industrial Specialties Mfg.
& IS MED Specialties (ISM)

industrialspec.com | 800-781-8486