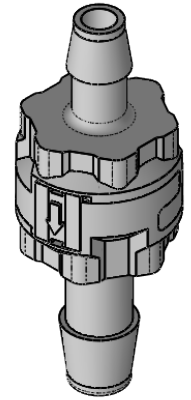
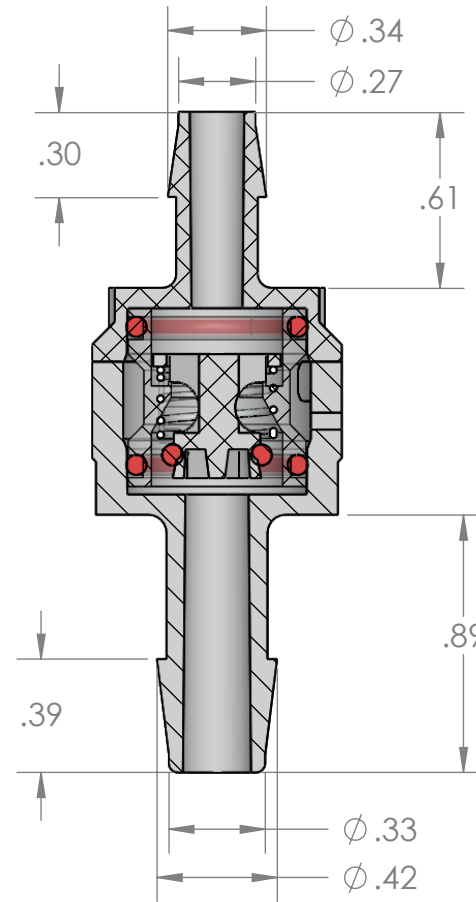
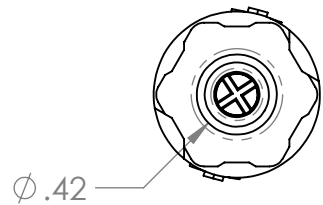
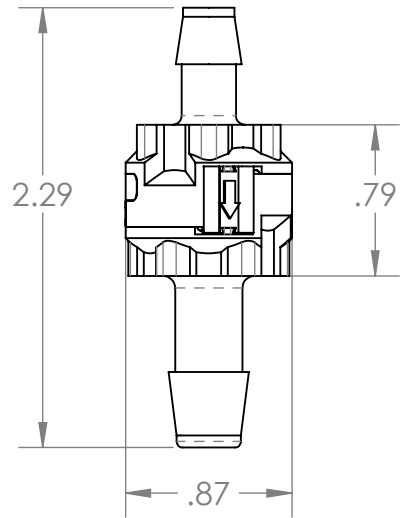


SECTION A-A  
SCALE 1.5 : 1



For Reference Only

PROPRIETARY AND CONFIDENTIAL

**Description**

1/4" Hose Barb x 5/16" Hose Barb Modular  
Check Valve, Flow from 1/4" to 5/16",  
30% Glass-Filled Polypropylene

THE INFORMATION CONTAINED IN THIS DRAWING IS THE SOLE PROPERTY OF INDUSTRIAL SPECIALTIES MFG. AND IS MED SPECIALITES. ANY REPRODUCTION IN PART OR AS A WHOLE WITHOUT THE WRITTEN PERMISSION OF INDUSTRIAL SPECIALTIES MFG. AND IS MED SPECIALITES IS PROHIBITED.

NAME DATE  
DRAWN BY: M.E. 9/25/2018

PART#  
CVIS-14-516

REV  
1

SHEET 1 OF 1

SCALE: 1:1

DO NOT SCALE DRAWING



industrialspec.com | 800-781-8486