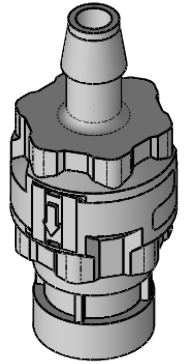
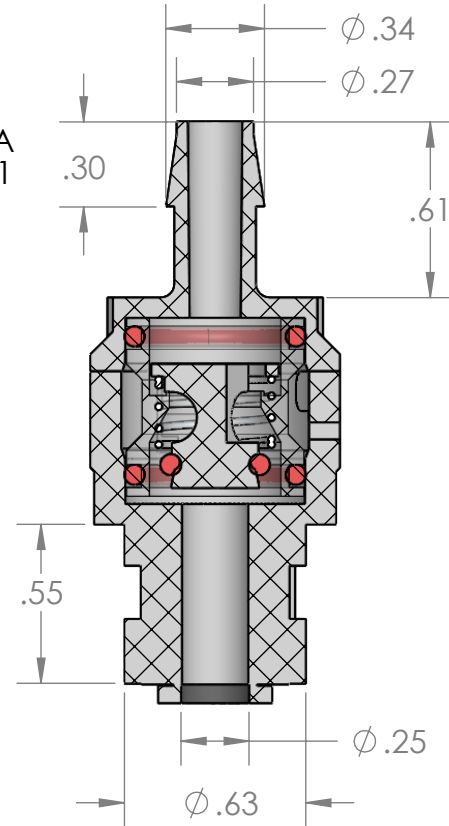


SECTION A-A  
SCALE 1.5 : 1



For Reference Only

PROPRIETARY AND CONFIDENTIAL

**Description**

THE INFORMATION CONTAINED IN THIS DRAWING IS THE SOLE PROPERTY OF INDUSTRIAL SPECIALTIES MFG. AND IS MED SPECIALITES. ANY REPRODUCTION IN PART OR AS A WHOLE WITHOUT THE WRITTEN PERMISSION OF INDUSTRIAL SPECIALTIES MFG. AND IS MED SPECIALITES IS PROHIBITED.

1/4" Hose Barb x 1/4" Push-In Modular Check Valve, Flow from Barb to Push-In, 30% Glass-Filled Polypropylene

NAME	DATE
M.E.	9/28/2018

PART#  
CVIS-14-14P

REV  
1

SHEET 1 OF 1

SCALE: 1:1

DO NOT SCALE DRAWING

**ISM** Industrial Specialties Mfg. & IS MED Specialites (ISM)  
industrialspec.com | 800-781-8486