



Industrial Specialties Mfg.

An ISO 9001:2008 Certified Company

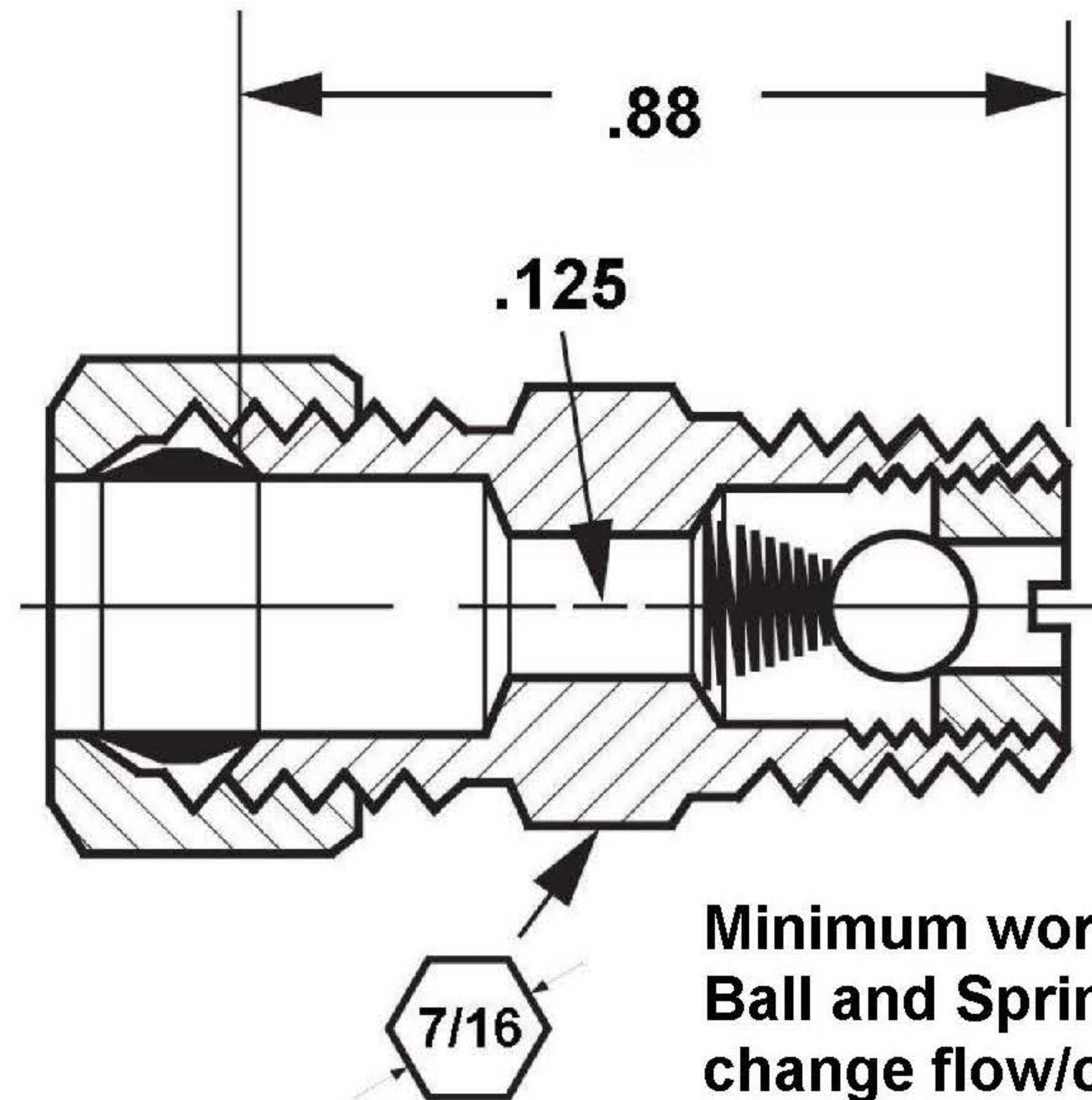
4091 S. Eliot St., Englewood, CO 80110-4396 • 303-781-8486 FAX: 303-761-7939 • www.industrialspec.com

COP-14-2M

1/4" OD Compression x 1/8" Male NPT

Brass

Cracking Pressure: 3 psi



Minimum working pressure - 3 psi
Ball and Spring position may be reversed to
change flow/check direction.

←
FLOW DIRECTION