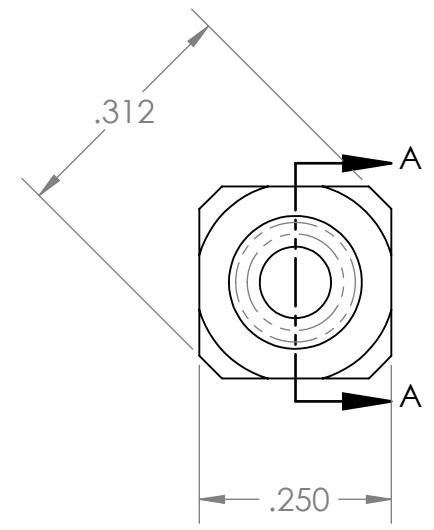
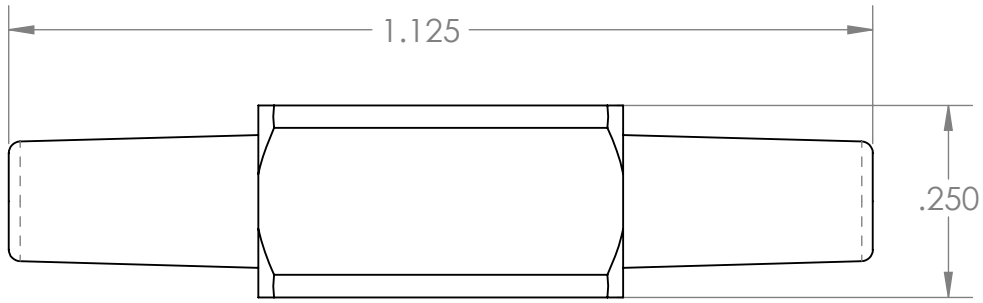
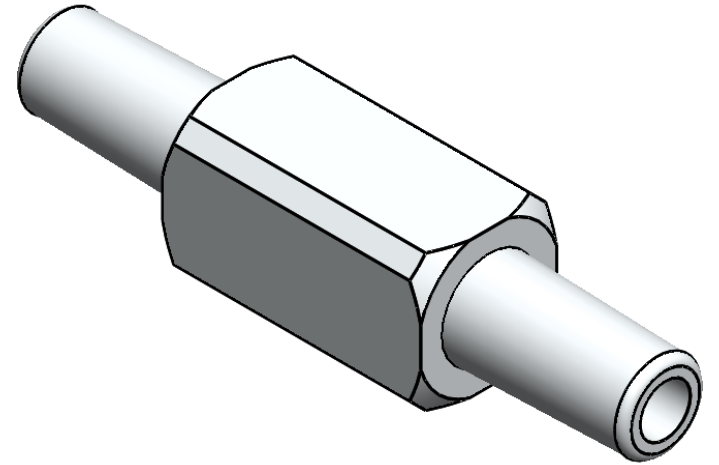
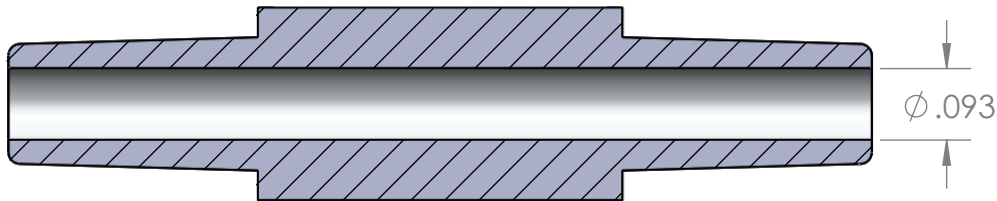



SECTION A-A



<p>PROPRIETARY AND CONFIDENTIAL</p>	<p>Description</p>	<p>NAME</p>	<p>DATE</p>	<p>PART#</p>	<p>REV</p>
<p>THE INFORMATION CONTAINED IN THIS DRAWING IS THE SOLE PROPERTY OF INDUSTRIAL SPECIALTIES MFG. AND IS MED SPECIALITES. ANY REPRODUCTION IN PART OR AS A WHOLE WITHOUT THE WRITTEN PERMISSION OF INDUSTRIAL SPECIALTIES MFG. AND IS MED SPECIALITES IS PROHIBITED.</p>	<p>Male Slip Luer Connector, Square Body, Nickel Plated Brass</p>	<p>DRAWN BY: M.E.</p>	<p>7/24/2015</p>	<p>CMMLSJ-SQ-NI</p>	<p>1</p>
		<p>SHEET 1 OF 1</p>		 <p>Industrial Specialties Mfg. IS Med Specialties www.industrialpec.com 800-781-8487</p>	
		<p>SCALE: 4:1</p>			
		<p>DO NOT SCALE DRAWING</p>			