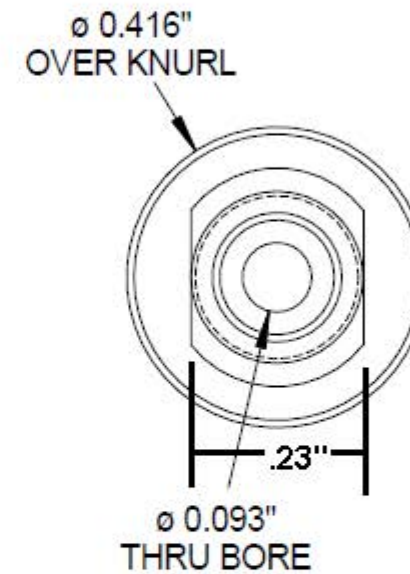
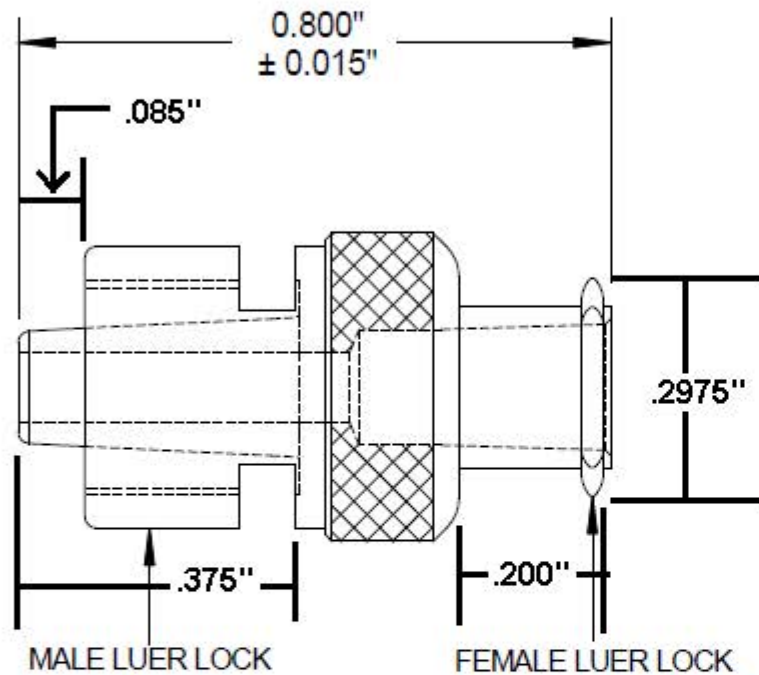


Luers are made to ISO 594/1,2 the international standard for Luer Taper Components



PROPRIETARY AND CONFIDENTIAL

Description

THE INFORMATION CONTAINED IN THIS DRAWING IS THE SOLE PROPERTY OF INDUSTRIAL SPECIALTIES MFG. AND IS MED SPECIALITES. ANY REPRODUCTION IN PART OR AS A WHOLE WITHOUT THE WRITTEN PERMISSION OF INDUSTRIAL SPECIALTIES MFG. AND IS MED SPECIALITES IS PROHIBITED.

Male Luer Lock x Female Luer Lug Connector, Round Body with Knurled Grip, Nickel Plated

NAME	DATE
M.E.	10/1/2015

PART#

CMMFLLJ-NI

REV
1

SHEET 1 OF 1



Industrial Specialties Mfg.
IS Med Specialties