

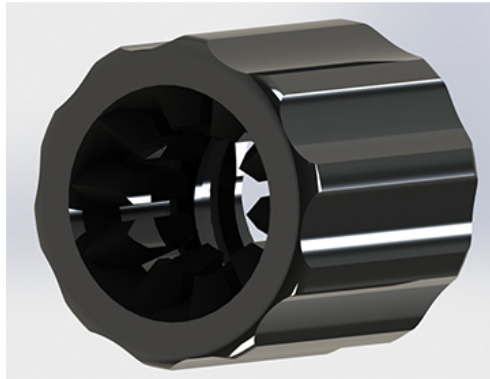


# IS Med Specialties

An ISO 9001:2008 Certified Company

4091 S. Eliot St., Englewood, CO 80110-4396 • 303-781-8486 FAX: 303-761-7939 • www.ismedspec.com

## CLFSR Series Data Sheet



Finger snap luer lock ring with materials including white nylon, black nylon, natural polypropylene and clear polycarbonate. Can be combined with several male slip luers to create a rotating male luer lock.

<b>Product Data</b>	
<b><u>Item #</u></b>	<b><u>Material</u></b>
CLFSR-WN	White Nylon
CLFSR-BN	Black Nylon
CLFSR-PP	Natural Polypropylene
CLFSR-PC	Clear Polycarbonate