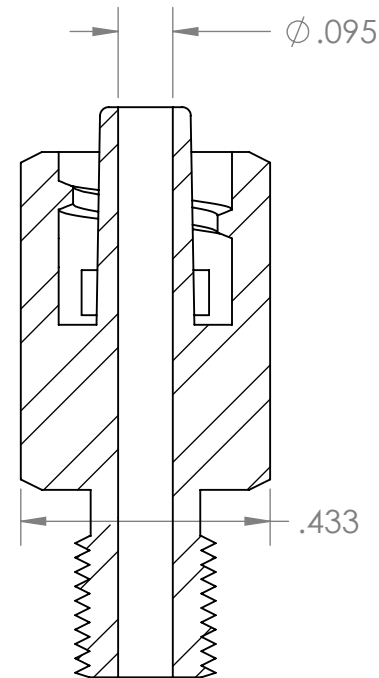
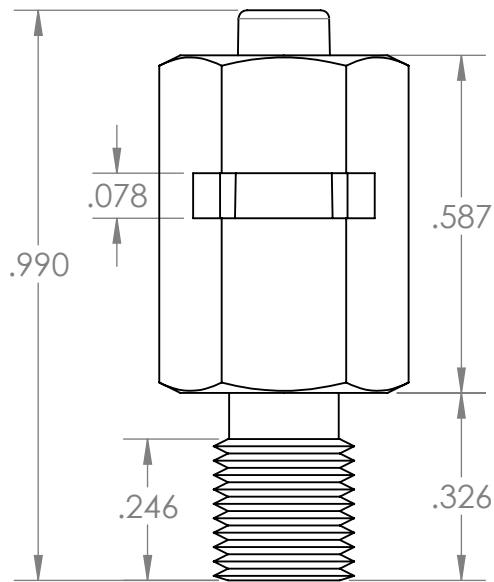
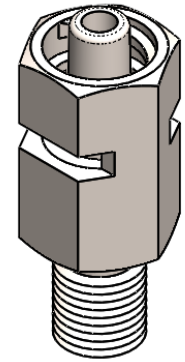


SECTION A-A  
SCALE 3:1



PROPRIETARY AND CONFIDENTIAL

Description

THE INFORMATION CONTAINED IN THIS DRAWING IS THE SOLE PROPERTY OF INDUSTRIAL SPECIALTIES MFG. AND IS MED SPECIALITES. ANY REPRODUCTION IN PART OR AS A WHOLE WITHOUT THE WRITTEN PERMISSION OF INDUSTRIAL SPECIALTIES MFG. AND IS MED SPECIALITES IS PROHIBITED.

1/4-28 Male UNF x Male Luer Lock Adapter, Hex Body Style, 316 Stainless Steel

NAME	DATE
M.E.	3/24/2014

PART# CIMLTJ-1428M-SS316

REV  
1

SHEET 1 OF 1

SCALE: 3:1

DO NOT SCALE DRAWING



**Industrial Specialties Mfg.**  
**IS Med Specialties**