

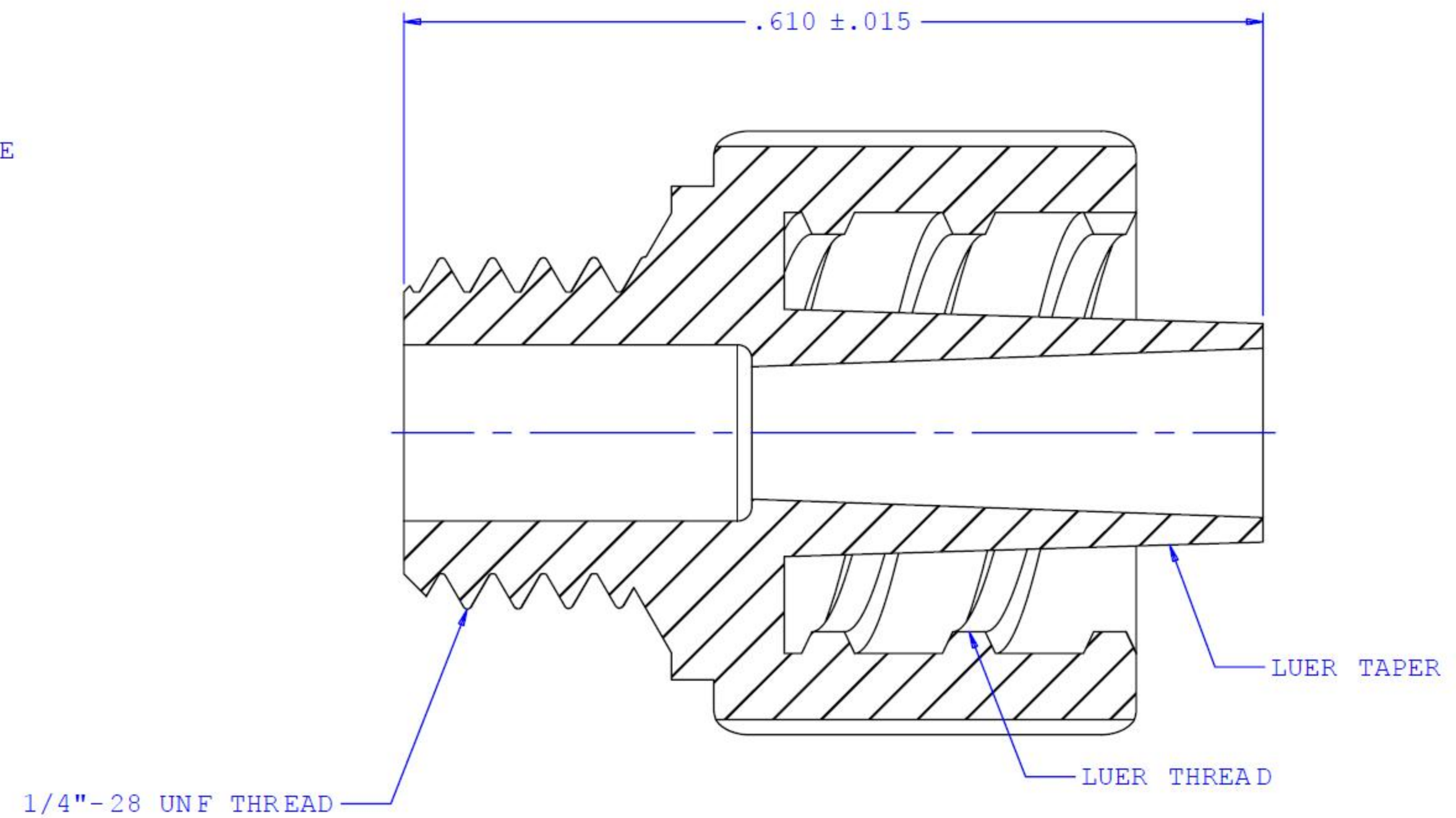
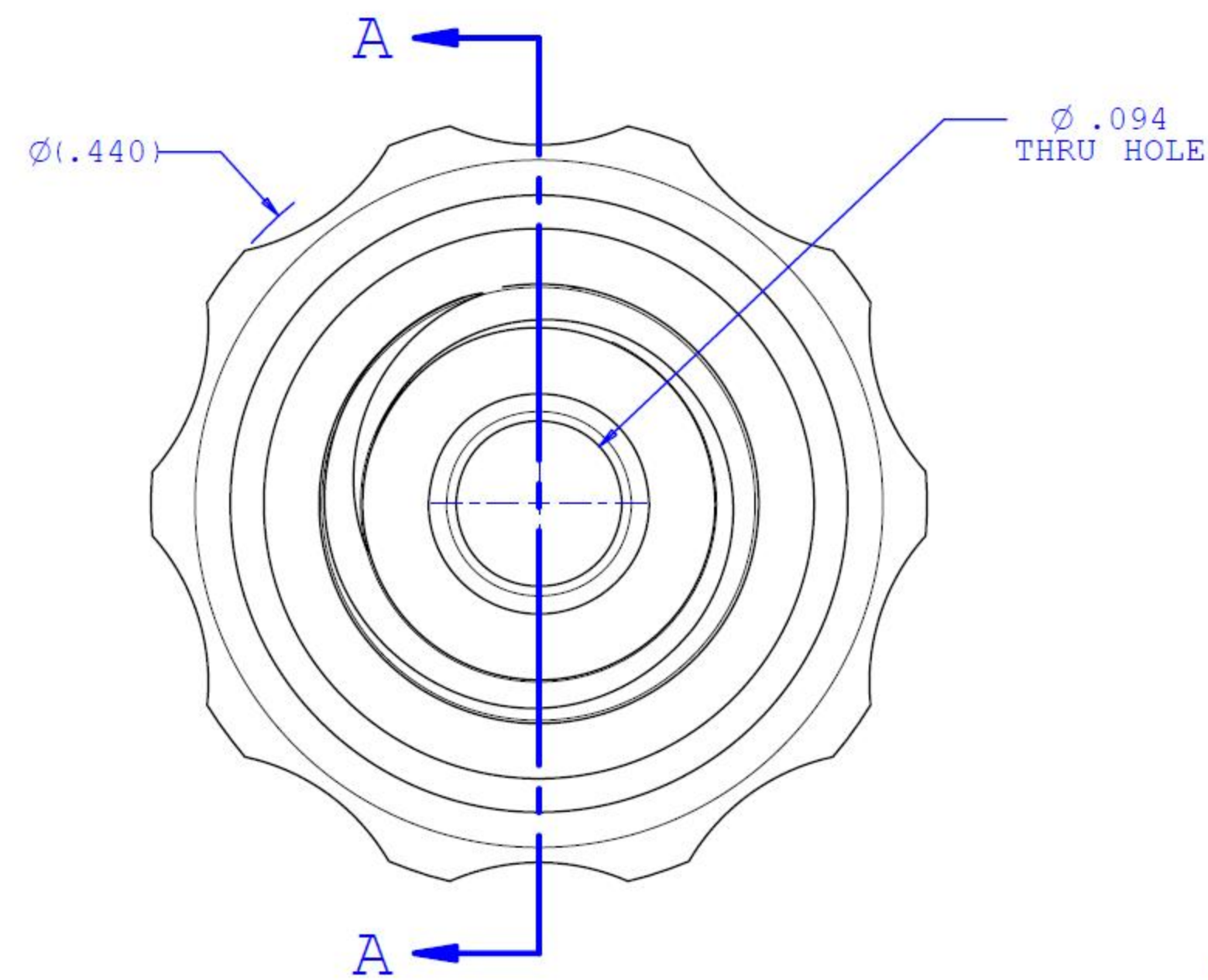


INDUSTRIAL SPECIALTIES MFG.

4091 S. Eliot St., Englewood, CO 80110-4396 • 303-781-8486 FAX: 303-761-7939 • www.industrialspec.com

CIMLT-1428M-PP

Male Luer Lock x 1/4-28 Male UNF
Natural Polypropylene



SECTION A-A