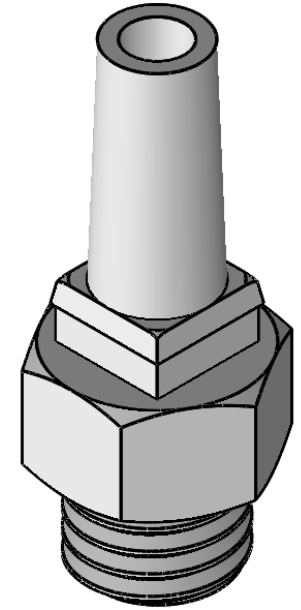
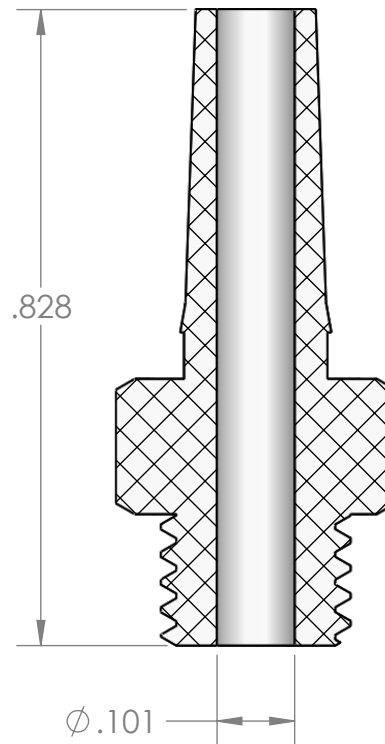


SECTION A-A



PROPRIETARY AND CONFIDENTIAL

Description

THE INFORMATION CONTAINED IN THIS DRAWING IS THE SOLE PROPERTY OF INDUSTRIAL SPECIALTIES MFG. AND IS MED SPECIALITES. ANY REPRODUCTION IN PART OR AS A WHOLE WITHOUT THE WRITTEN PERMISSION OF INDUSTRIAL SPECIALTIES MFG. AND IS MED SPECIALITES IS PROHIBITED.

Male Slip Luer x 1/4-28 Male UNF Adapter,
Natural Nylon

MFR# LGX86-NY0

NAME DATE
DRAWN BY: M.E. 10/13/2016

PART# CIMLSTA-1428M-N

REV
1

SHEET 1 OF 1

SCALE: 4:1

DO NOT SCALE DRAWING



Industrial Specialties Mfg.

IS Med Specialties

www.industrialspec.com
800-781-8487