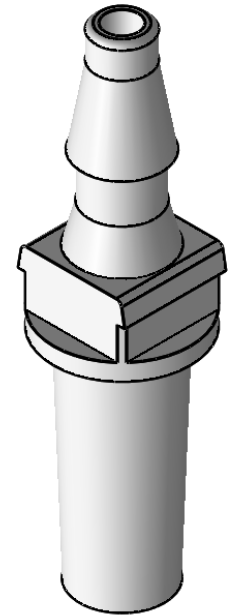
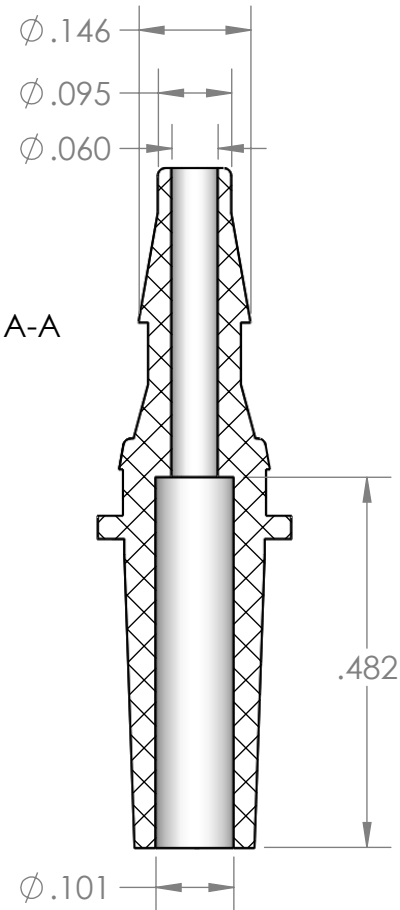


SECTION A-A



PROPRIETARY AND CONFIDENTIAL

Description

THE INFORMATION CONTAINED IN THIS DRAWING IS THE SOLE PROPERTY OF INDUSTRIAL SPECIALTIES MFG. AND IS MED SPECIALITES. ANY REPRODUCTION IN PART OR AS A WHOLE WITHOUT THE WRITTEN PERMISSION OF INDUSTRIAL SPECIALTIES MFG. AND IS MED SPECIALITES IS PROHIBITED.

3/32" Hose Barb x Male Slip Luer,
Mates with CLMRA Series Luer Lock Ring,
Clear Polycarbonate
MFR# LDX83-YC0

NAME	DATE
M.E.	11/28/2016

PART# CIMLSRA-332-PC	REV 1
--------------------------------	----------

SHEET 1 OF 1
SCALE: 4:1
DO NOT SCALE DRAWING



Industrial Specialties Mfg.
IS Med Specialties
www.industrial-spec.com
800-781-8487