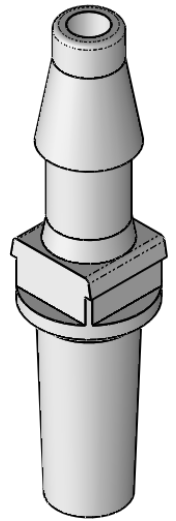
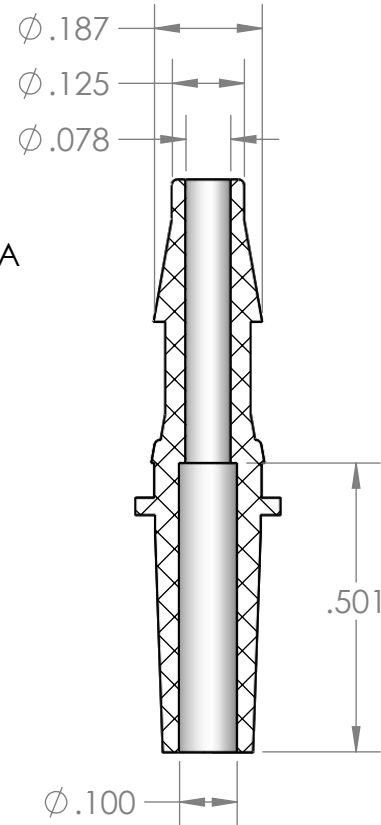


SECTION A-A



PROPRIETARY AND CONFIDENTIAL

Description

1/8" Hose Barb x Male Slip Luer, Mates with CLMRA Series Luer Lock Ring, Natural Nylon
MFR# LDX69-NY0

THE INFORMATION CONTAINED IN THIS DRAWING IS THE SOLE PROPERTY OF INDUSTRIAL SPECIALTIES MFG. AND IS MED SPECIALITES. ANY REPRODUCTION IN PART OR AS A WHOLE WITHOUT THE WRITTEN PERMISSION OF INDUSTRIAL SPECIALTIES MFG. AND IS MED SPECIALITES IS PROHIBITED.

| | |
|------|------------|
| NAME | DATE |
| M.E. | 11/28/2016 |

PART#

CIMLSRA-18-N

REV
1

SHEET 1 OF 1

SCALE: 3:1

DO NOT SCALE DRAWING



Industrial Specialties Mfg.

IS Med Specialties

www.industrial-spec.com
800-781-8487