



INDUSTRIAL SPECIALTIES MFG.

4091 S. Eliot St., Englewood, CO 80110-4396 • 303-781-8486 FAX: 303-761-7939 • www.industrialspec.com

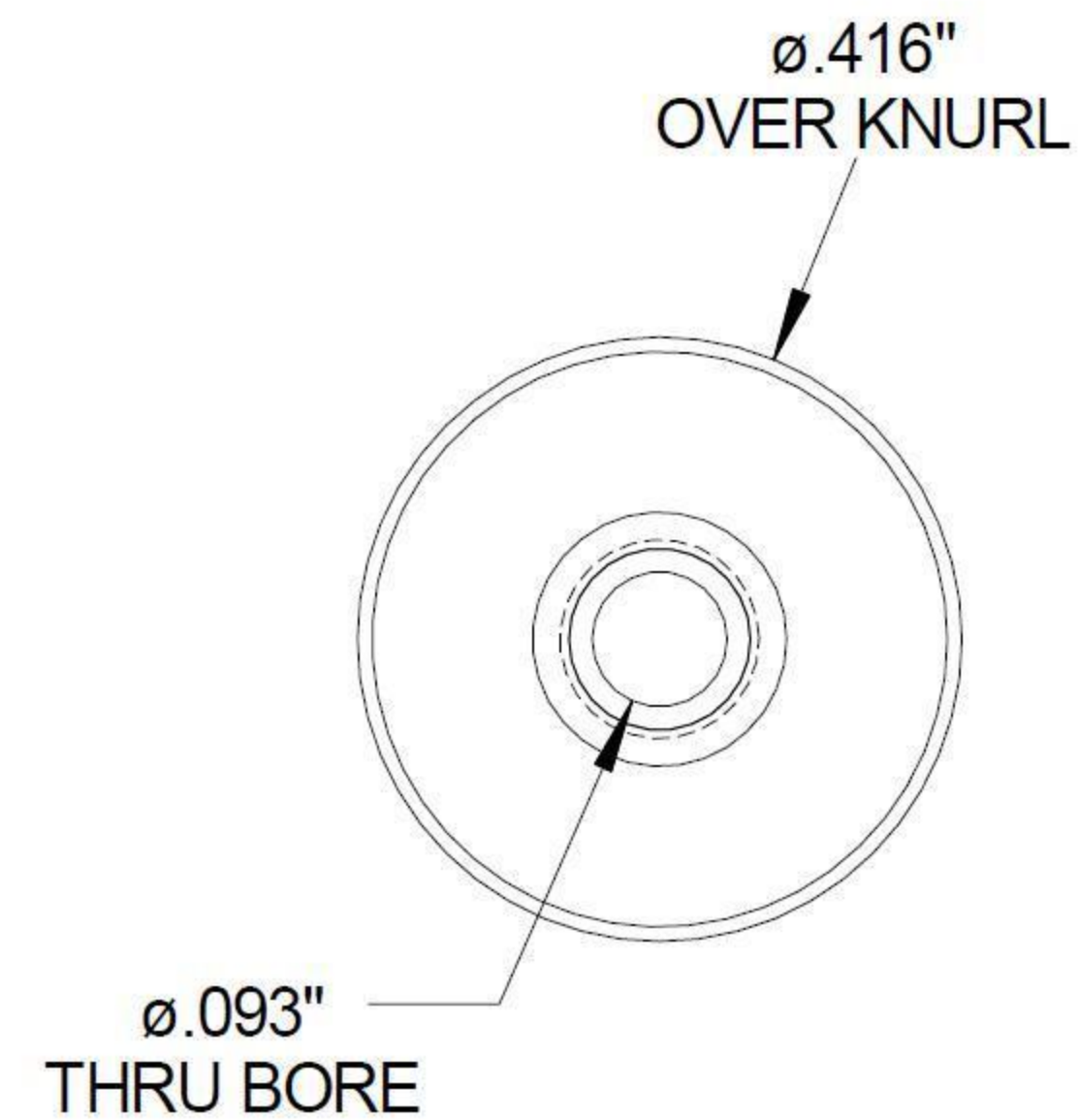
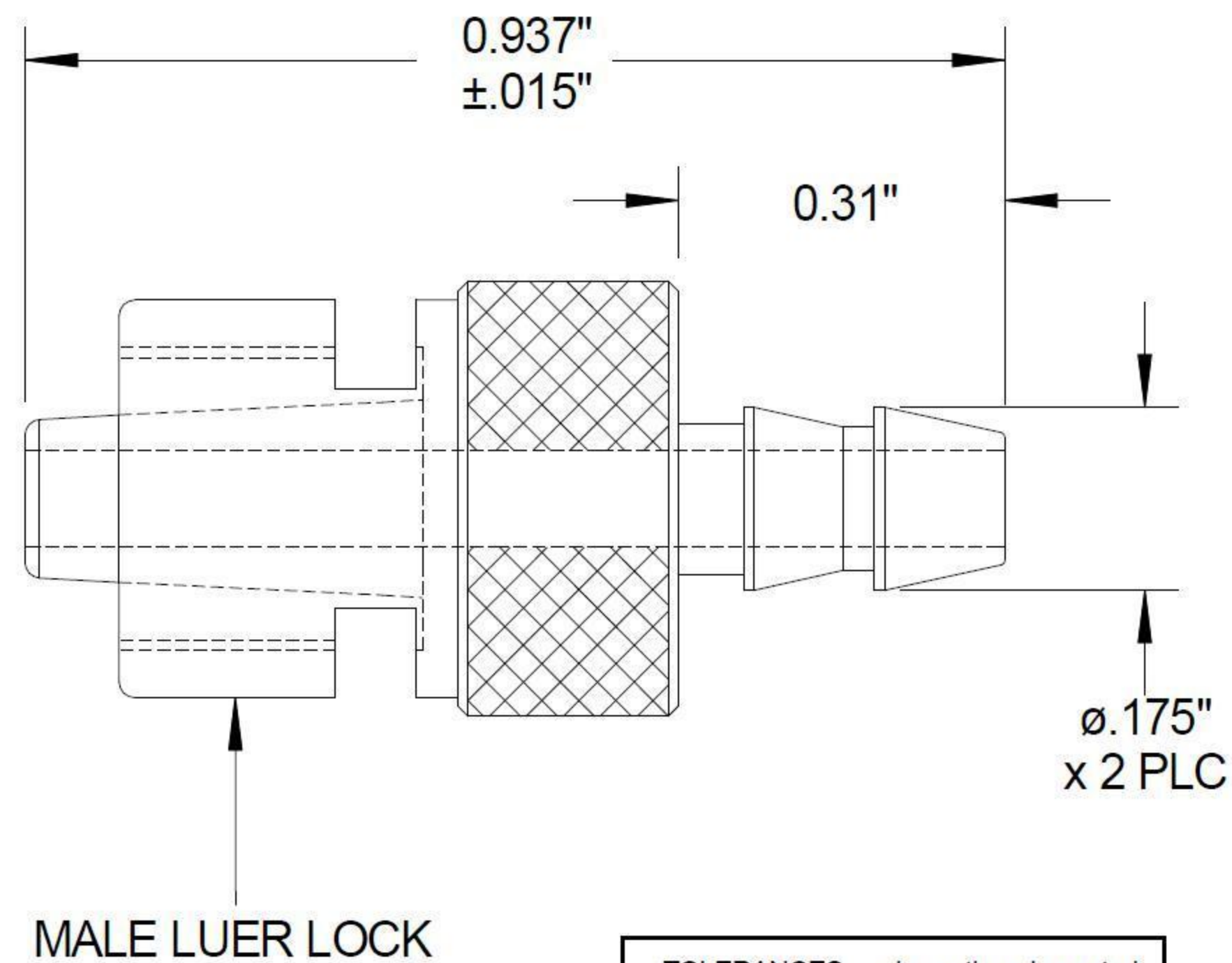
CIMLSJ-175-NI

Male Luer Lock x 0.175" Double Barb

Suggested Tube Range: 0.109" to 0.150"

Round Body with Knurled Grip

Nickel Plated



TOLERANCES: unless otherwise noted

.XX ±.010
.XXX ±.005
ANGLES ±3 DEG.

DIMENSIONS ARE IN INCHES