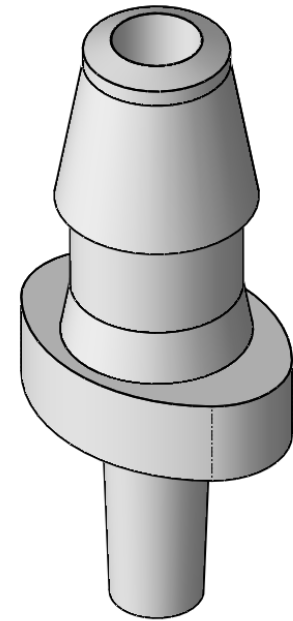
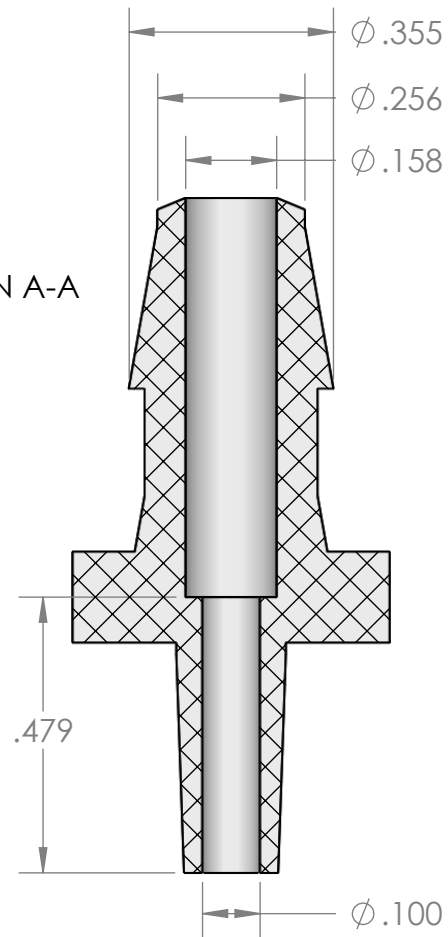


SECTION A-A



PROPRIETARY AND CONFIDENTIAL

Description

THE INFORMATION CONTAINED IN THIS DRAWING IS THE SOLE PROPERTY OF INDUSTRIAL SPECIALTIES MFG. AND IS MED SPECIALITES. ANY REPRODUCTION IN PART OR AS A WHOLE WITHOUT THE WRITTEN PERMISSION OF INDUSTRIAL SPECIALTIES MFG. AND IS MED SPECIALITES IS PROHIBITED.

1/4" Hose Barb x Male Slip Luer Adapter,
Natural Polypropylene

MFR# LCX37-PP0

NAME DATE
DRAWN BY: M.E. 11/21/2016

PART#
CIMLSA-14-PP

REV
1

SHEET 1 OF 1

SCALE: 3:1

DO NOT SCALE DRAWING



Industrial Specialties Mfg.

IS Med Specialties

www.industrial-spec.com
800-781-8487