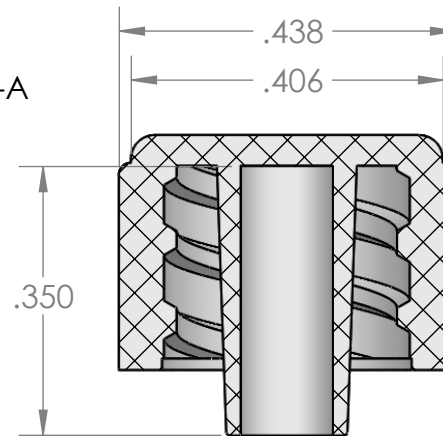


SECTION A-A



PROPRIETARY AND CONFIDENTIAL

Description

Male Luer Lock Plug, Natural Polypropylene

MFR# LPA31-PP0

THE INFORMATION CONTAINED IN THIS DRAWING IS THE SOLE PROPERTY OF INDUSTRIAL SPECIALTIES MFG. AND IS MED SPECIALITES. ANY REPRODUCTION IN PART OR AS A WHOLE WITHOUT THE WRITTEN PERMISSION OF INDUSTRIAL SPECIALTIES MFG. AND IS MED SPECIALITES IS PROHIBITED.

| | |
|------|------------|
| NAME | DATE |
| M.E. | 10/10/2016 |

PART#

CIMLPA-PP

REV
1

SHEET 1 OF 1

SCALE: 4:1

DO NOT SCALE DRAWING



Industrial Specialties Mfg.

IS Med Specialties

www.industrial-spec.com
800-781-8487