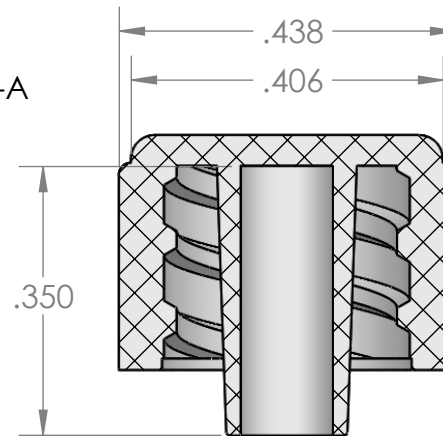


SECTION A-A



PROPRIETARY AND CONFIDENTIAL

**Description**

Male Luer Lock Plug, Clear Polycarbonate

MFR# LPA31-YC0

THE INFORMATION CONTAINED IN THIS DRAWING IS THE SOLE PROPERTY OF INDUSTRIAL SPECIALTIES MFG. AND IS MED SPECIALITES. ANY REPRODUCTION IN PART OR AS A WHOLE WITHOUT THE WRITTEN PERMISSION OF INDUSTRIAL SPECIALTIES MFG. AND IS MED SPECIALITES IS PROHIBITED.

NAME DATE  
DRAWN BY: M.E. 10/10/2016

**PART#**

CIMLPA-PC

REV  
1

SHEET 1 OF 1

SCALE: 4:1

DO NOT SCALE DRAWING



**Industrial Specialties Mfg.**

**IS Med Specialties**

www.industrial-spec.com  
800-781-8487