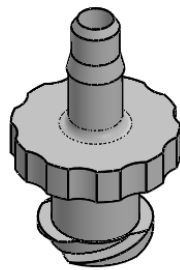
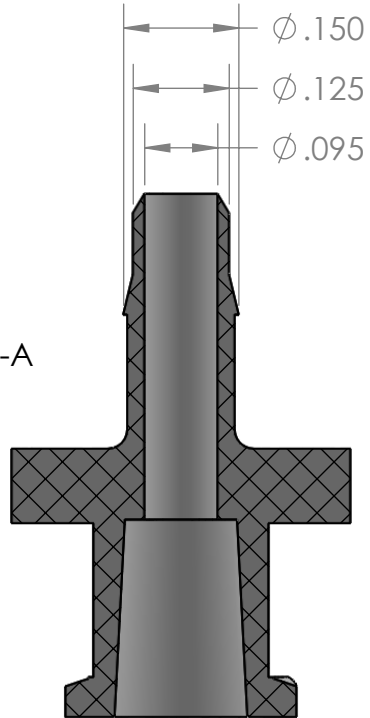


SECTION A-A



Manufactured to meet ISO 594-1 and ISO 594-2 standards.

PROPRIETARY AND CONFIDENTIAL

THE INFORMATION CONTAINED IN THIS DRAWING IS THE SOLE PROPERTY OF INDUSTRIAL SPECIALTIES MFG. AND IS MED SPECIALITES. ANY REPRODUCTION IN PART OR AS A WHOLE WITHOUT THE WRITTEN PERMISSION OF INDUSTRIAL SPECIALTIES MFG. AND IS MED SPECIALITES IS PROHIBITED.

Description

1/8" Hose Barb x Female Luer Thread Adapter, Easy Assembly Barb Style, Natural Polypropylene

NAME	DATE
M.E.	5/4/2016
DRAWN BY:	
SHEET 1 OF 1	
SCALE: 4:1	
DO NOT SCALE DRAWING	

PART# CFL-18EA-PP

REV 1



Industrial Specialties Mfg.
IS Med Specialties
 www.industrial-spec.com
 800-781-8487