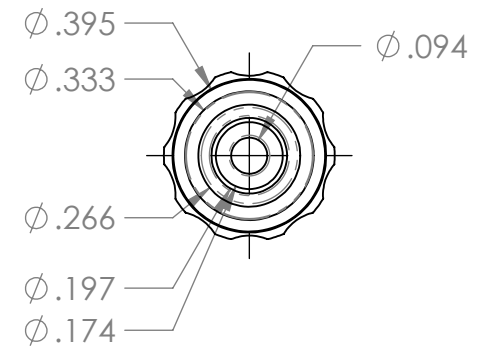
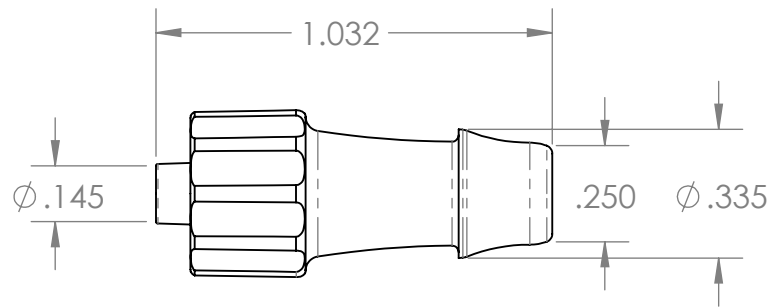
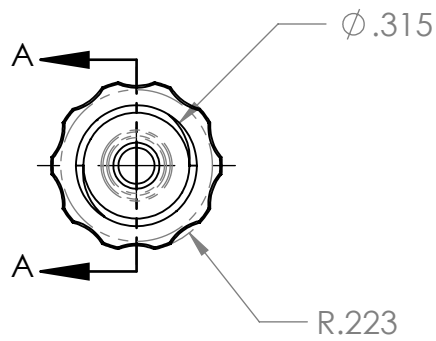
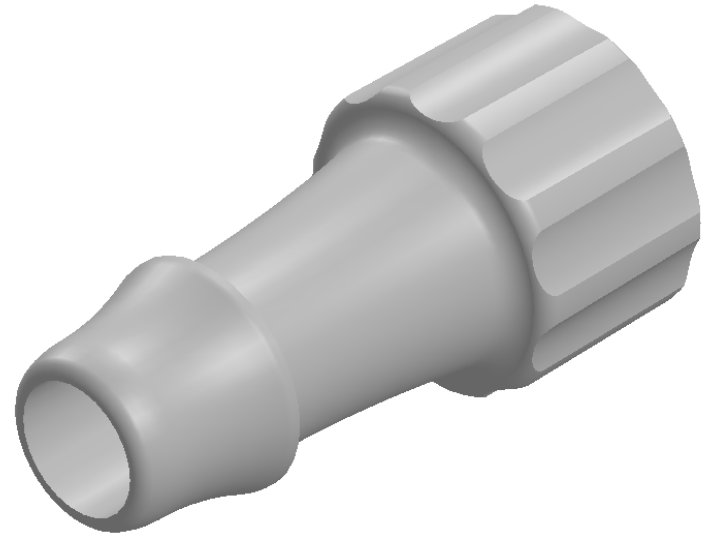
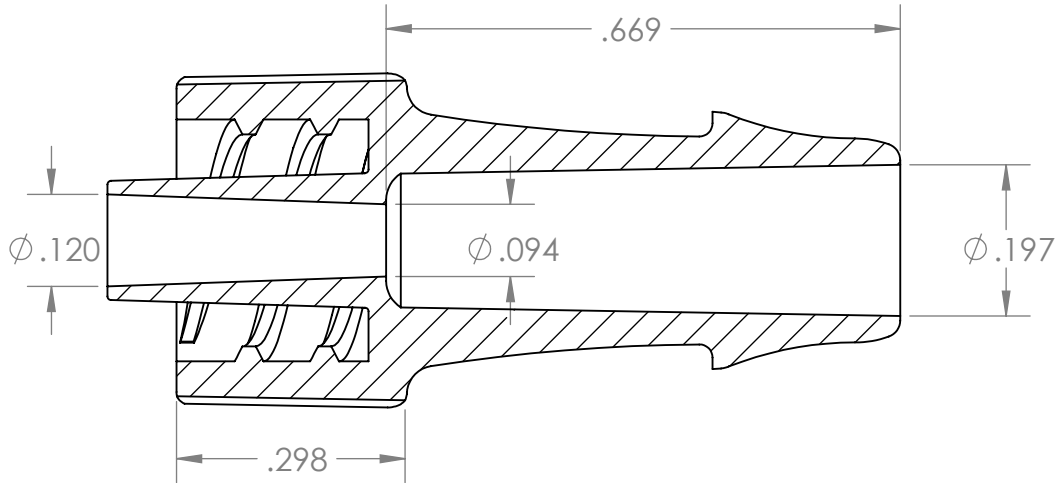


SECTION A-A
SCALE 4 : 1



PROPRIETARY AND CONFIDENTIAL

THE INFORMATION CONTAINED IN THIS DRAWING IS THE SOLE PROPERTY OF INDUSTRIAL SPECIALTIES MFG. AND IS MED SPECIALITES. ANY REPRODUCTION IN PART OR AS A WHOLE WITHOUT THE WRITTEN PERMISSION OF INDUSTRIAL SPECIALTIES MFG. AND IS MED SPECIALITES IS PROHIBITED.

UNLESS OTHERWISE SPECIFIED:

DIMENSIONS ARE IN INCHES
TOLERANCES:
FRACTIONAL ±
ANGULAR: MACH ± BEND ±
TWO PLACE DECIMAL ±
THREE PLACE DECIMAL ±

MATERIAL
Natural Polypropylene
FINISH

DO NOT SCALE DRAWING

NAME	DATE
DRAWN ME	8/7/2013
CHECKED	
ENG APPR.	
MFG APPR.	
Q.A.	

Comments:



Industrial Specialties Mfg.
IS Med Specialties

DESCRIPTION:
1/4" Hose Barb x Male Luer Lock

SIZE	PART#	REV
A	CIML-14FR-PP	1
SCALE: 2:1		SHEET 1 OF 1