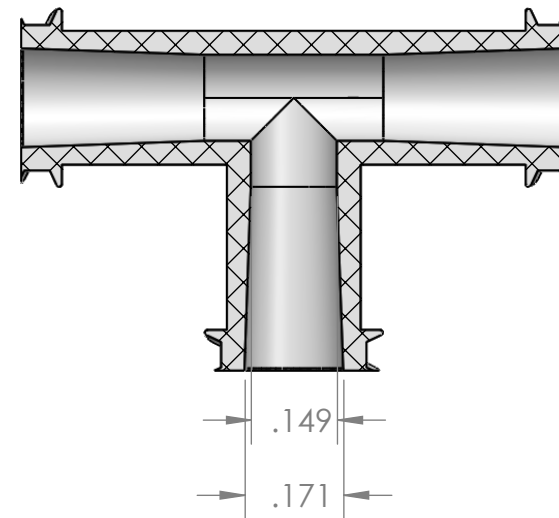
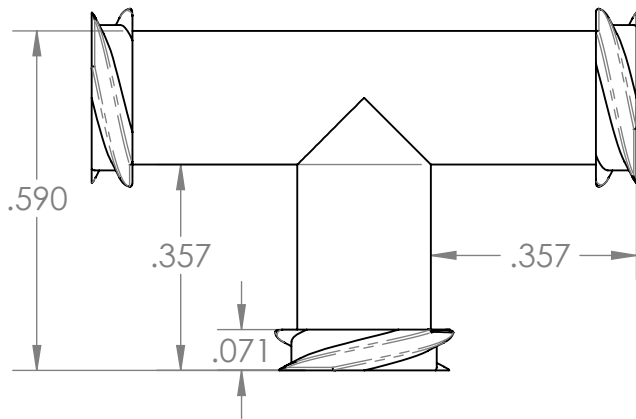


SECTION A-A



PROPRIETARY AND CONFIDENTIAL

**Description**

Female Luer Thread Tee, Natural Polypropylene

MFR# LNC42-PP0

THE INFORMATION CONTAINED IN THIS DRAWING IS THE SOLE PROPERTY OF INDUSTRIAL SPECIALTIES MFG. AND IS MED SPECIALITES. ANY REPRODUCTION IN PART OR AS A WHOLE WITHOUT THE WRITTEN PERMISSION OF INDUSTRIAL SPECIALTIES MFG. AND IS MED SPECIALITES IS PROHIBITED.

NAME	DATE
M.E.	10/10/2016

**PART#**

CFTTA-PP

REV  
1

SHEET 1 OF 1

SCALE: 3:1

DO NOT SCALE DRAWING



**Industrial Specialties Mfg.**

**IS Med Specialties**

www.industrial-spec.com  
800-781-8487