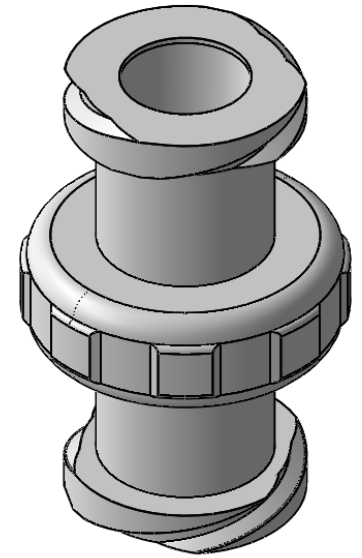
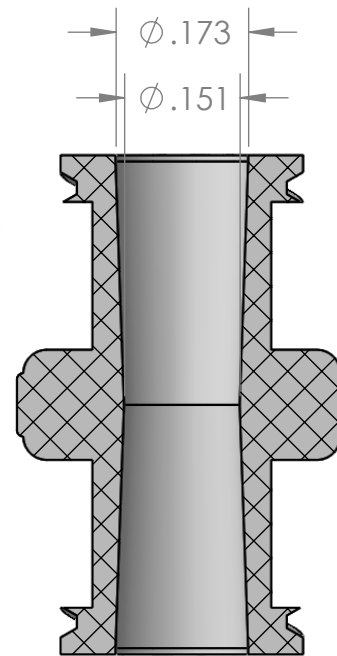


SECTION A-A



PROPRIETARY AND CONFIDENTIAL

Description

THE INFORMATION CONTAINED IN THIS DRAWING IS THE SOLE PROPERTY OF INDUSTRIAL SPECIALTIES MFG. AND IS MED SPECIALITES. ANY REPRODUCTION IN PART OR AS A WHOLE WITHOUT THE WRITTEN PERMISSION OF INDUSTRIAL SPECIALTIES MFG. AND IS MED SPECIALITES IS PROHIBITED.

Female Luer Thread Connector,
Clear Polycarbonate

MFR# LNA81-YC0

NAME DATE
DRAWN BY: M.E. 10/10/2016

PART#
CFLTFA-PC

REV
1

SHEET 1 OF 1

SCALE: 4:1

DO NOT SCALE DRAWING



Industrial Specialties Mfg.

IS Med Specialties

www.industrialpec.com
800-781-8487