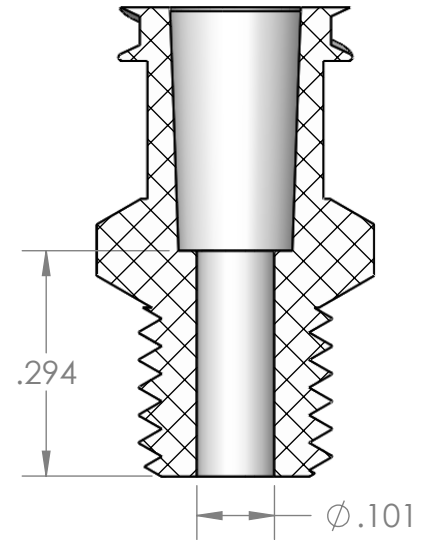
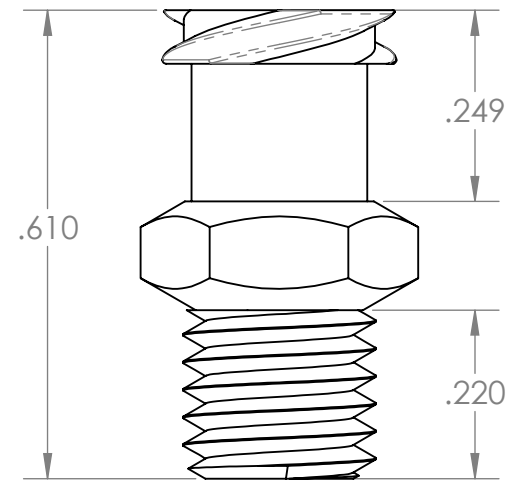


SECTION A-A



PROPRIETARY AND CONFIDENTIAL

THE INFORMATION CONTAINED IN THIS DRAWING IS THE SOLE PROPERTY OF INDUSTRIAL SPECIALTIES MFG. AND IS MED SPECIALITES. ANY REPRODUCTION IN PART OR AS A WHOLE WITHOUT THE WRITTEN PERMISSION OF INDUSTRIAL SPECIALTIES MFG. AND IS MED SPECIALITES IS PROHIBITED.

Description

Female Luer Thread x 1/4-28 Male UNF Adapter,
Clear Polycarbonate

MFR# LMX23-YC0

NAME	DATE
M.E.	10/13/2016
DRAWN BY:	
SHEET 1 OF 1	
SCALE: 4:1	
DO NOT SCALE DRAWING	

PART#	CFLTA-1428M-PC	REV	1
 Industrial Specialties Mfg. IS Med Specialties www.industrial-spec.com 800-781-8487			