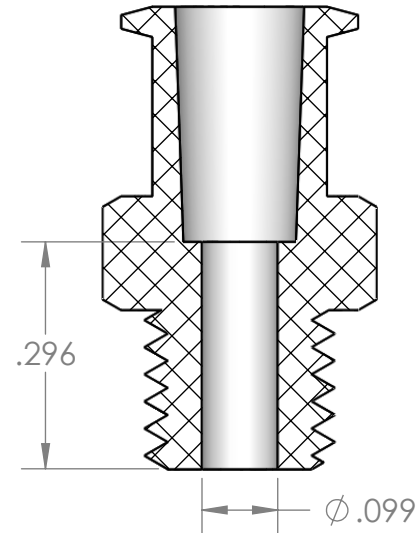
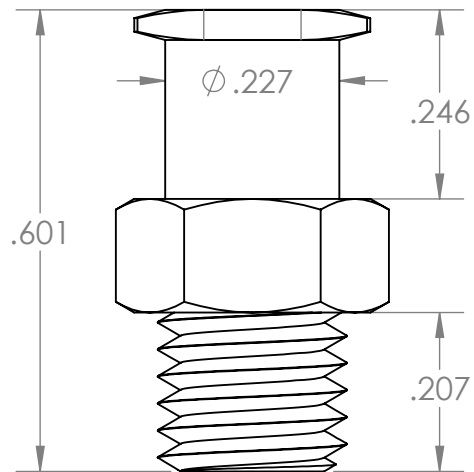


SECTION A-A



PROPRIETARY AND CONFIDENTIAL

Description

THE INFORMATION CONTAINED IN THIS DRAWING IS THE SOLE PROPERTY OF INDUSTRIAL SPECIALTIES MFG. AND IS MED SPECIALITES. ANY REPRODUCTION IN PART OR AS A WHOLE WITHOUT THE WRITTEN PERMISSION OF INDUSTRIAL SPECIALTIES MFG. AND IS MED SPECIALITES IS PROHIBITED.

Female Luer Lug x 1/4-28 Male UNF Adapter, Natural Polypropylene

MFR# LMX33-PP0

NAME	DATE
M.E.	10/12/2016

PART#

CFLTA-1428M-PP

REV
1

SHEET 1 OF 1

SCALE: 4:1

DO NOT SCALE DRAWING



Industrial Specialties Mfg.

IS Med Specialties

www.industrial-spec.com
800-781-8487