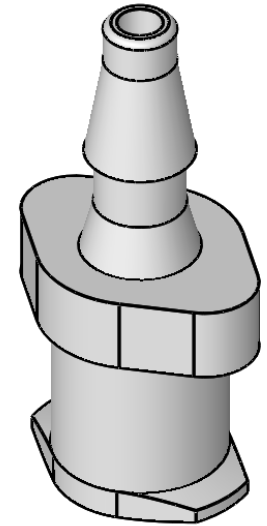
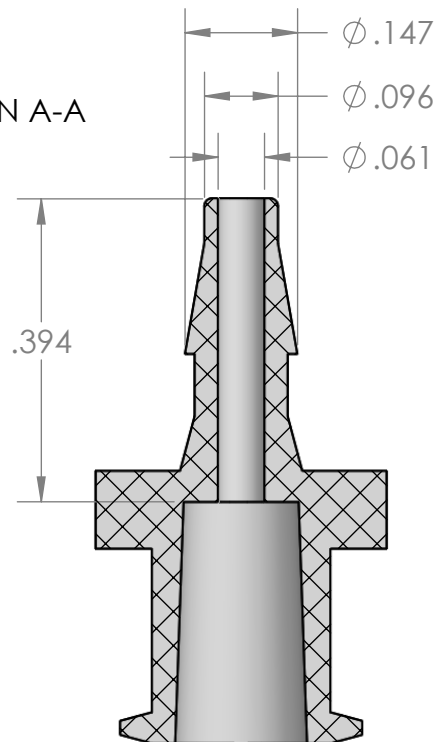


SECTION A-A



PROPRIETARY AND CONFIDENTIAL

Description

THE INFORMATION CONTAINED IN THIS DRAWING IS THE SOLE PROPERTY OF INDUSTRIAL SPECIALTIES MFG. AND IS MED SPECIALITES. ANY REPRODUCTION IN PART OR AS A WHOLE WITHOUT THE WRITTEN PERMISSION OF INDUSTRIAL SPECIALTIES MFG. AND IS MED SPECIALITES IS PROHIBITED.

3/32" Hose Barb x Female Luer Lug Adapter, Clear Polycarbonate

MFR# LHX40-YC0

| | |
|------|-----------|
| NAME | DATE |
| M.E. | 10/7/2016 |

SHEET 1 OF 1

SCALE: 4:1

DO NOT SCALE DRAWING

PART#

CFLLA-332-PC

REV
1



Industrial Specialties Mfg.

IS Med Specialties

www.industrial-spec.com
800-781-8487