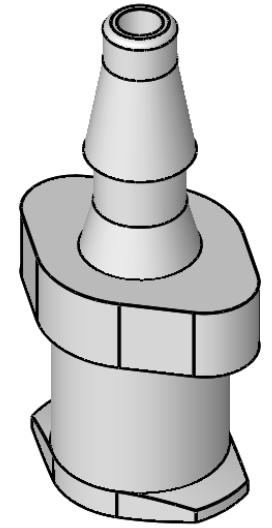
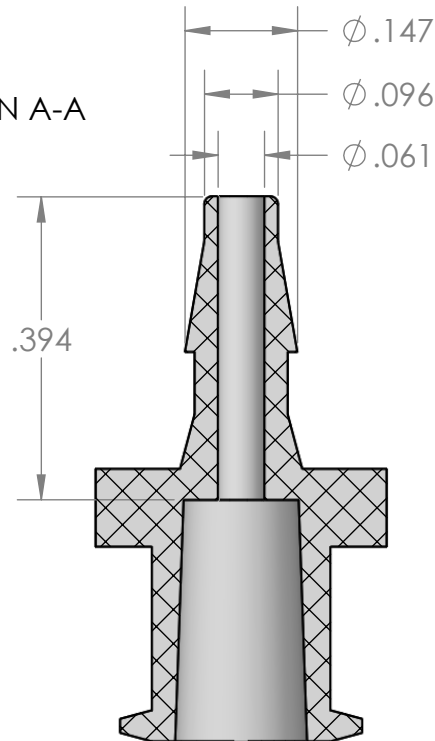


SECTION A-A



PROPRIETARY AND CONFIDENTIAL

Description

THE INFORMATION CONTAINED IN THIS DRAWING IS THE SOLE PROPERTY OF INDUSTRIAL SPECIALTIES MFG. AND IS MED SPECIALITES. ANY REPRODUCTION IN PART OR AS A WHOLE WITHOUT THE WRITTEN PERMISSION OF INDUSTRIAL SPECIALTIES MFG. AND IS MED SPECIALITES IS PROHIBITED.

3/32" Hose Barb x Female Luer Lug Adapter,
Natural Nylon

MFR# LHX40-NY0

NAME	DATE
M.E.	10/7/2016

SHEET 1 OF 1

SCALE: 4:1

DO NOT SCALE DRAWING

PART#

CFLLA-332-N

REV
1



Industrial Specialties Mfg.

IS Med Specialties

www.industrialpec.com
800-781-8487