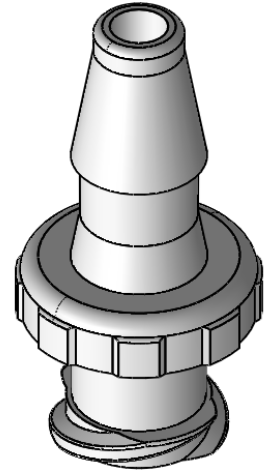
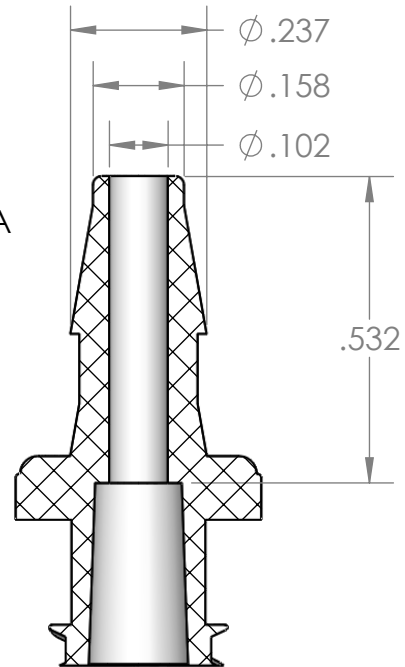


SECTION A-A



PROPRIETARY AND CONFIDENTIAL

Description

THE INFORMATION CONTAINED IN THIS DRAWING IS THE SOLE PROPERTY OF INDUSTRIAL SPECIALTIES MFG. AND IS MED SPECIALITES. ANY REPRODUCTION IN PART OR AS A WHOLE WITHOUT THE WRITTEN PERMISSION OF INDUSTRIAL SPECIALTIES MFG. AND IS MED SPECIALITES IS PROHIBITED.

5/32" Hose Barb x Female Luer Thread Adapter, Natural Polypropylene

MFR# LHX87-PP0

NAME	DATE
M.E.	10/5/2016

SHEET 1 OF 1

SCALE: 3:1

DO NOT SCALE DRAWING

PART# CFLA-532-PP	REV 1
-----------------------------	----------

	Industrial Specialties Mfg. IS Med Specialties www.industrial-spec.com 800-781-8487
---	--