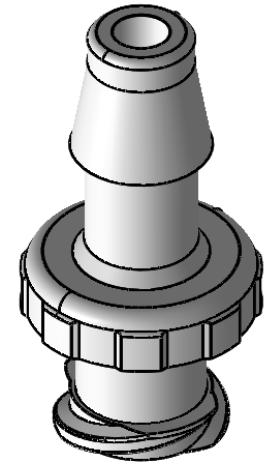
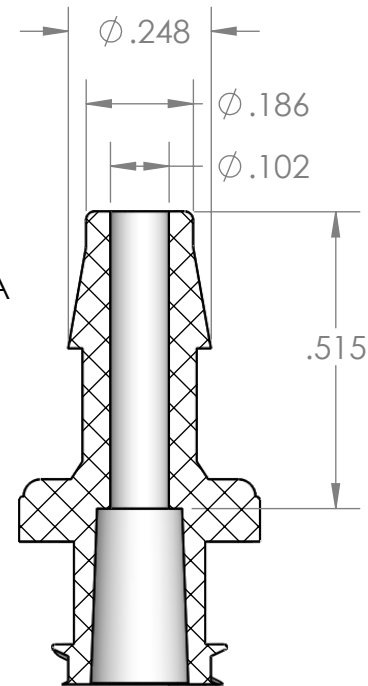


SECTION A-A



PROPRIETARY AND CONFIDENTIAL

**Description**

THE INFORMATION CONTAINED IN THIS DRAWING IS THE SOLE PROPERTY OF INDUSTRIAL SPECIALTIES MFG. AND IS MED SPECIALITES. ANY REPRODUCTION IN PART OR AS A WHOLE WITHOUT THE WRITTEN PERMISSION OF INDUSTRIAL SPECIALTIES MFG. AND IS MED SPECIALITES IS PROHIBITED.

3/16" Hose Barb x Female Luer Thread Adapter, Natural Polypropylene

MFR# LHX80-PP0

NAME	DATE
M.E.	10/6/2016

SHEET 1 OF 1

SCALE: 3:1

DO NOT SCALE DRAWING

**PART#**

CFLA-316-PP

REV  
1



**Industrial Specialties Mfg.**

**IS Med Specialties**

www.industrial-spec.com  
800-781-8487