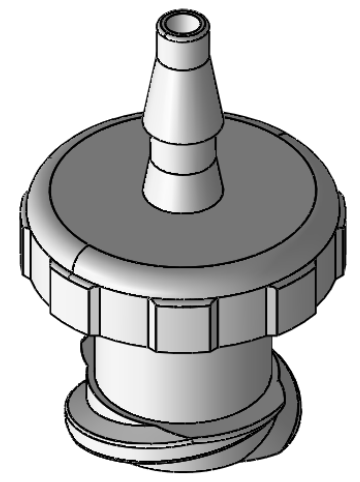
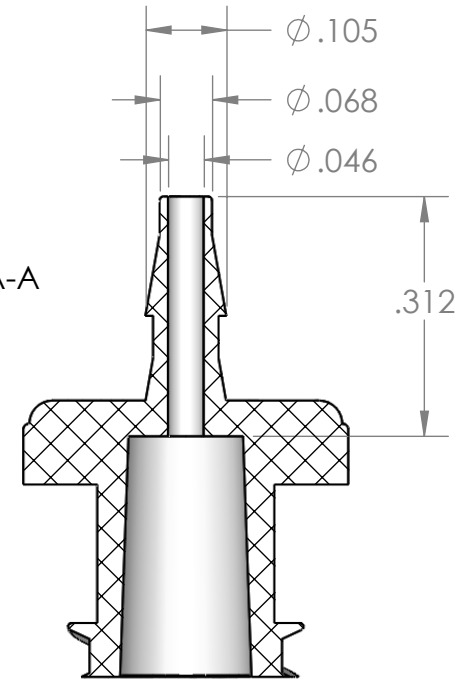


SECTION A-A



PROPRIETARY AND CONFIDENTIAL

THE INFORMATION CONTAINED IN THIS DRAWING IS THE SOLE PROPERTY OF INDUSTRIAL SPECIALTIES MFG. AND IS MED SPECIALITES. ANY REPRODUCTION IN PART OR AS A WHOLE WITHOUT THE WRITTEN PERMISSION OF INDUSTRIAL SPECIALTIES MFG. AND IS MED SPECIALITES IS PROHIBITED.

Description

1/16" Hose Barb x Female Luer Thread Adapter, Clear Polycarbonate

MFR# LHX15-YC0

NAME	DATE
M.E.	10/5/2016
DRAWN BY:	
SHEET 1 OF 1	
SCALE: 4:1	
DO NOT SCALE DRAWING	

PART#	CFLA-116-PC	REV	1
 Industrial Specialties Mfg. IS Med Specialties www.industrialspec.com 800-781-8487			