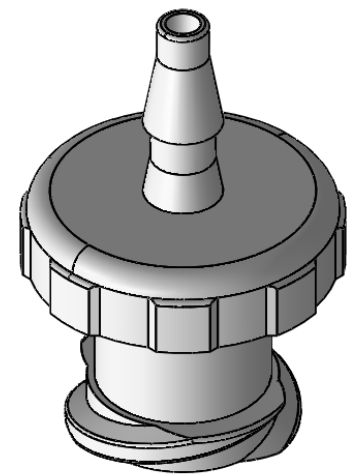
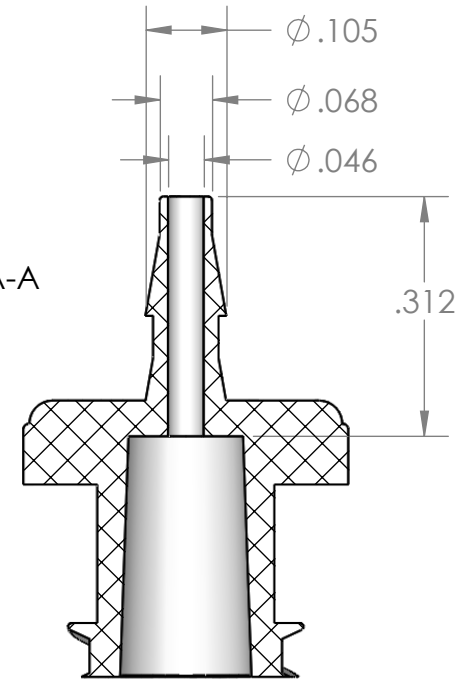


SECTION A-A



**PROPRIETARY AND CONFIDENTIAL**

THE INFORMATION CONTAINED IN THIS DRAWING IS THE SOLE PROPERTY OF INDUSTRIAL SPECIALTIES MFG. AND IS MED SPECIALITES. ANY REPRODUCTION IN PART OR AS A WHOLE WITHOUT THE WRITTEN PERMISSION OF INDUSTRIAL SPECIALTIES MFG. AND IS MED SPECIALITES IS PROHIBITED.

**Description**

1/16" Hose Barb x Female Luer Thread Adapter,  
Natural Nylon

MFR# LHX15-NY0

NAME	DATE
M.E.	10/5/2016
DRAWN BY:	
SHEET 1 OF 1	
SCALE: 4:1	
DO NOT SCALE DRAWING	

<b>PART#</b>	CFLA-116-N	<b>REV</b>	1
 <b>Industrial Specialties Mfg.</b> <b>IS Med Specialties</b> www.industrialspec.com 800-781-8487			