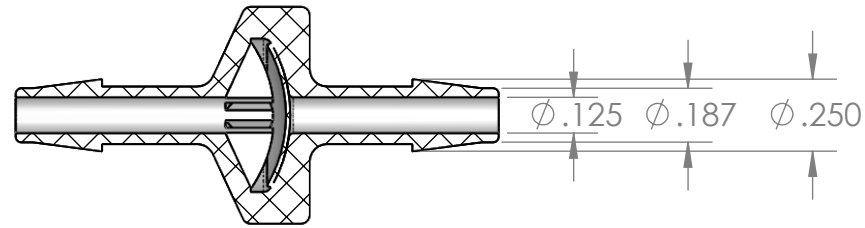
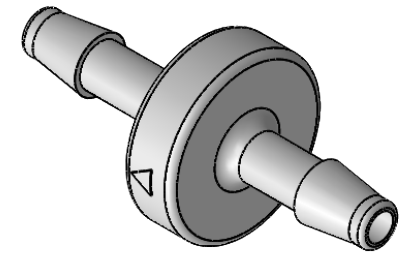
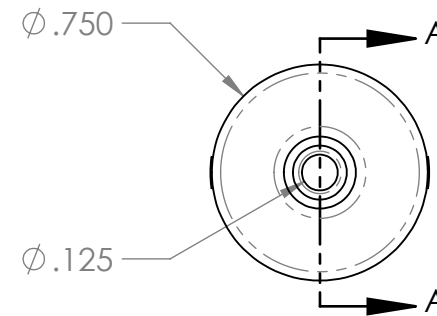
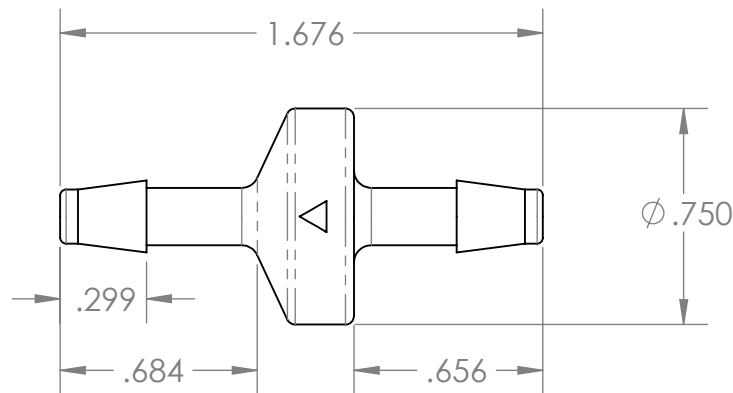


Material	Agency Ratings	RoHS Compliant	Animal Derived Free	DEHP Free	BPA Free
Polypropylene	USP Class VI, FDA 21 CFR 177.1520	Yes	Yes	Yes	Yes



SECTION A-A



PROPRIETARY AND CONFIDENTIAL

Description

3/16" Hose Barb Diaphragm Check Valve, Viton Diaphragm, Polypropylene Body

THE INFORMATION CONTAINED IN THIS DRAWING IS THE SOLE PROPERTY OF INDUSTRIAL SPECIALTIES MFG. AND IS MED SPECIALITES. ANY REPRODUCTION IN PART OR AS A WHOLE WITHOUT THE WRITTEN PERMISSION OF INDUSTRIAL SPECIALTIES MFG. AND IS MED SPECIALITES IS PROHIBITED.

NAME	DATE
M.E.	2/19/2019

PART#
CVPPV-316

REV
1

SHEET 1 OF 1

SCALE: 3:2

DO NOT SCALE DRAWING



industrialspec.com | 800-781-8486