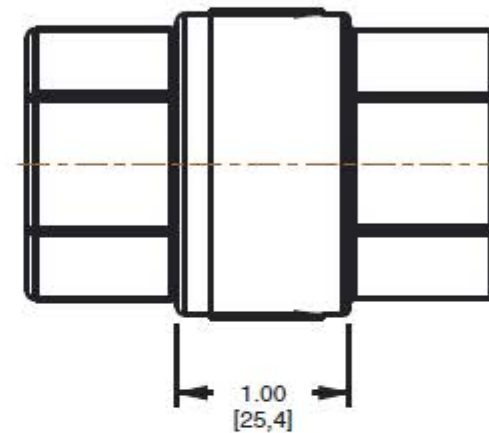


Female 3/4

Female 3/4



NOTES:

1. Material : Polypropylene
2. Material Color : White Polypropylene
3. Seal Options : Fluoroelastomer (Viton®)
4. Spring Material : No Spring
5. Cracking Pressure : NA
6. Check Mechanism : Poppet
7. Maximum Operating Pressure : 125 psi
8. Maximum Operating Temperature : 140 °F
9. All Drawing Dimensions are in Inches [mm]

PROPRIETARY AND CONFIDENTIAL	Description		NAME	DATE	PART#	REV
THE INFORMATION CONTAINED IN THIS DRAWING IS THE SOLE PROPERTY OF INDUSTRIAL SPECIALTIES MFG. AND IS MED SPECIALITES. ANY REPRODUCTION IN PART OR AS A WHOLE WITHOUT THE WRITTEN PERMISSION OF INDUSTRIAL SPECIALTIES MFG. AND IS MED SPECIALITES IS PROHIBITED.	3/4" Female NPT Poppet Check Valve, No Spring, O-Ring Poppet Style, Viton Seal, White Polypropylene	DRAWN BY:	M.E.	8/10/2018	CVMC-12F-V-WPP	1
		SHEET 1 OF 1			 Industrial Specialties Mfg. IS Med Specialties	