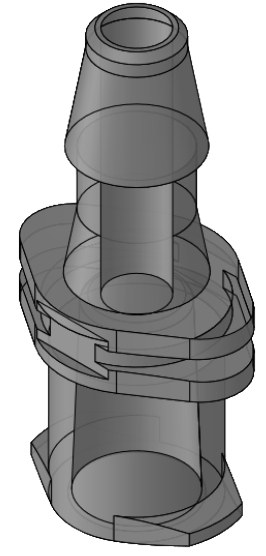
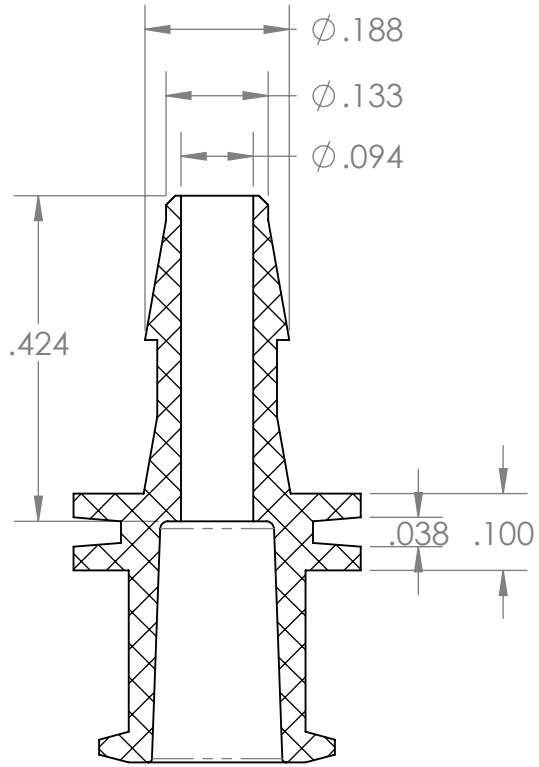


SECTION A-A



**PROPRIETARY AND CONFIDENTIAL**

THE INFORMATION CONTAINED IN THIS DRAWING IS THE SOLE PROPERTY OF INDUSTRIAL SPECIALTIES MFG. AND IS MED SPECIALITES. ANY REPRODUCTION IN PART OR AS A WHOLE WITHOUT THE WRITTEN PERMISSION OF INDUSTRIAL SPECIALTIES MFG. AND IS MED SPECIALITES IS PROHIBITED.

**Description**

1/8" Hose Barb x Female Luer Lug Adapter, High Pressure Barb Style, Clear Polycarbonate

NAME	DATE
M.E.	4/13/2017
DRAWN BY:	
SHEET 1 OF 1	
SCALE: 4:1	
DO NOT SCALE DRAWING	

**PART#** CFLL-18HP-PC

**REV** 1

**ISM** Industrial Specialties Mfg. & IS MED Specialites (ISM)

industrialspec.com | 800-781-8486