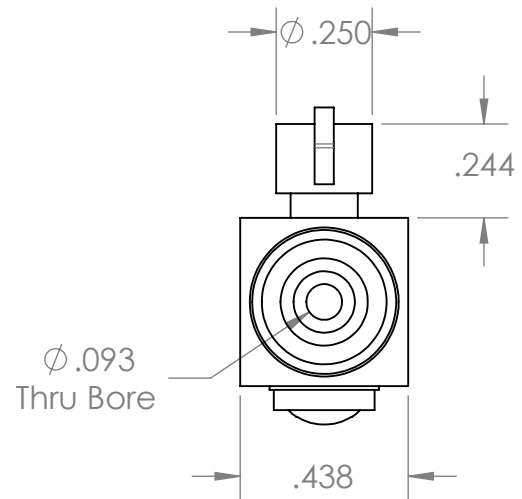


Stem Secured with
#3-48 x 1/8" Type 18-8 St. Steel
Machine Screw, Teflon Washer
and "D" Ring



PROPRIETARY AND CONFIDENTIAL

Description

THE INFORMATION CONTAINED IN THIS DRAWING IS THE SOLE PROPERTY OF INDUSTRIAL SPECIALTIES MFG. AND IS MED SPECIALITES. ANY REPRODUCTION IN PART OR AS A WHOLE WITHOUT THE WRITTEN PERMISSION OF INDUSTRIAL SPECIALTIES MFG. AND IS MED SPECIALITES IS PROHIBITED.

Male Luer Lock 2-Way Stopcock,
Nickel Plated Brass

NAME	DATE
M.E.	6/18/2015

PART#
BVLUE-MLL-NI

REV
1

SHEET 1 OF 1

SCALE: 2:1

DO NOT SCALE DRAWING



Industrial Specialties Mfg.
IS Med Specialties

5

4

3

2

1