

8 7 6 5 4 3 2 1

D

D

C

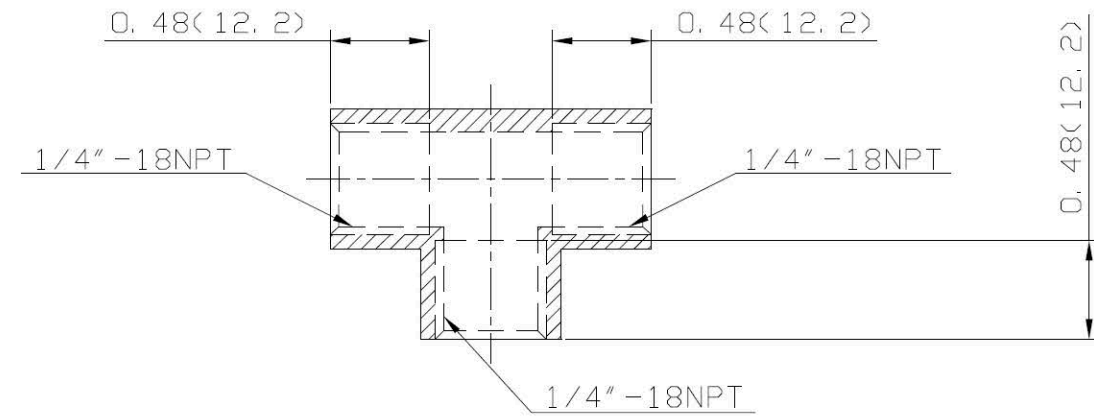
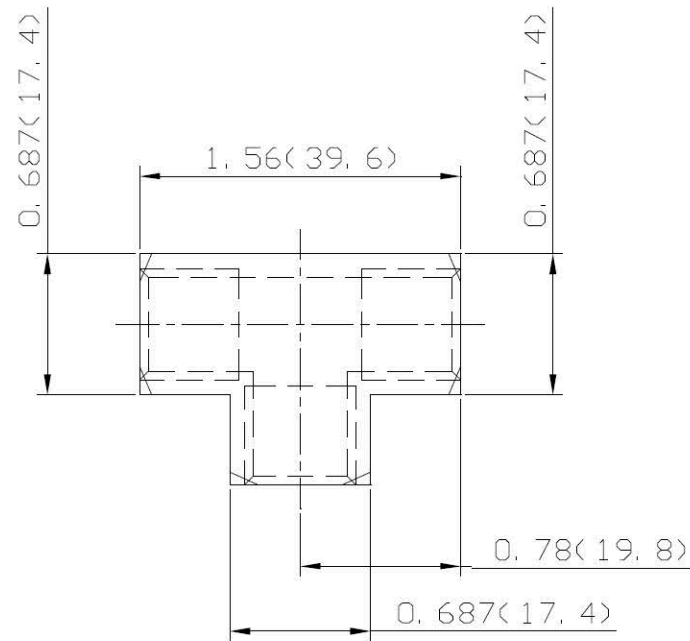
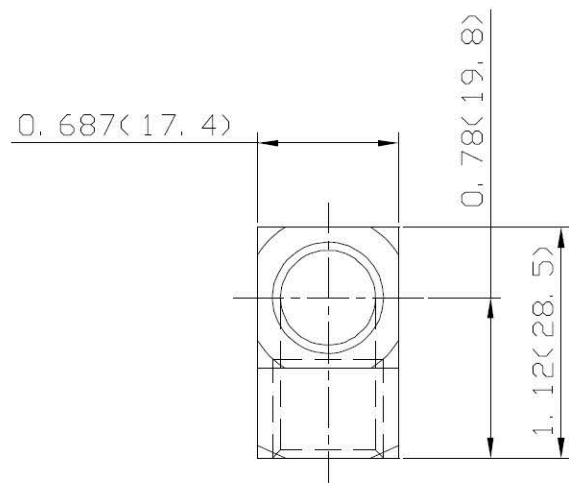
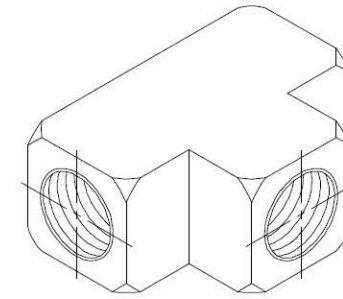
C

B


B

A

A



PROPRIETARY AND CONFIDENTIAL
 THE INFORMATION CONTAINED IN THIS DRAWING IS THE SOLE PROPERTY OF INDUSTRIAL SPECIALTIES MFG. AND IS MED SPECIALTIES. ANY REPRODUCTION IN PART OR AS A WHOLE WITHOUT WRITTEN PERMISSION OF INDUSTRIAL SPECIALTIES MFG. AND IS MED SPECIALTIES IS PROHIBITED.

UNLESS OTHERWISE SPECIFIED: DIMENSIONS ARE IN INCHES TOLERANCES: FRACTIONAL ± ANGULAR: MACH ± BEND ± TWO PLACE DECIMAL ± THREE PLACE DECIMAL ±	DRAWN	NAME ME	DATE 3/27/2013	 Industrial Specialties Mfg. IS Med Specialties
	CHECKED			
	ENG APPR.			
	MFG APPR.			
MATERIAL Brass	COMMENTS: Barstock			TITLE: 1/4" Female NPT Tee
FINISH				SIZE B
DO NOT SCALE DRAWING				DWG. NO. BFCB-4F-B
				REV
				SCALE: 1:1
				SHEET 1 OF 1

8 7 6 5 4 3 2 1