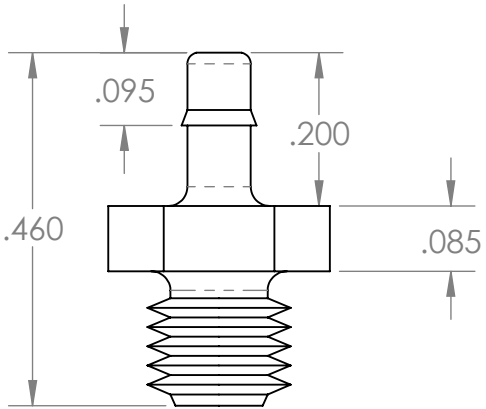
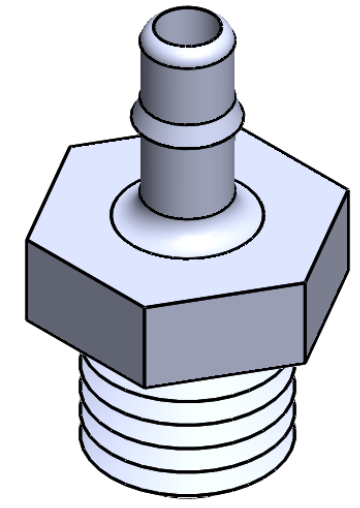


SECTION A-A



Part List	
Part #	Material
BFB-116-1032-B	Brass
BFB-116-1032-NI	Nickel Plated Brass
BFB-116-1032-SS303	303 Stainless Steel
BFB-116-1032-SS316	316 Stainless Steel

UNLESS OTHERWISE SPECIFIED:			
	NAME	DATE	
	DRAWN	ME	9/11/13
	CHECKED		
	ENG APPR.		
	MFG APPR.		
	Q.A.		
Comments:			
DIMENSIONS ARE IN INCHES TOLERANCES: FRACTIONAL ± ANGULAR: MACH ± BEND ± TWO PLACE DECIMAL ± THREE PLACE DECIMAL ±			
MATERIAL See Part List			
FINISH			
DO NOT SCALE DRAWING			



DESCRIPTION:
1/16" Hose Barb x 10-32 Male UNF

SIZE	PART#	REV
A	See Part List	1
SCALE: 4:1		SHEET 1 OF 1

PROPRIETARY AND CONFIDENTIAL

THE INFORMATION CONTAINED IN THIS DRAWING IS THE SOLE PROPERTY OF INDUSTRIAL SPECIALTIES MFG. AND IS MED SPECIALITES. ANY REPRODUCTION IN PART OR AS A WHOLE WITHOUT THE WRITTEN PERMISSION OF INDUSTRIAL SPECIALTIES MFG. AND IS MED SPECIALITES IS PROHIBITED.