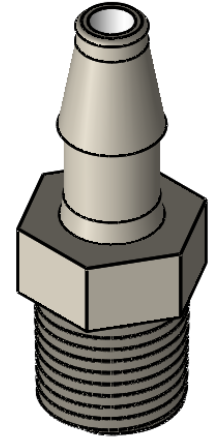
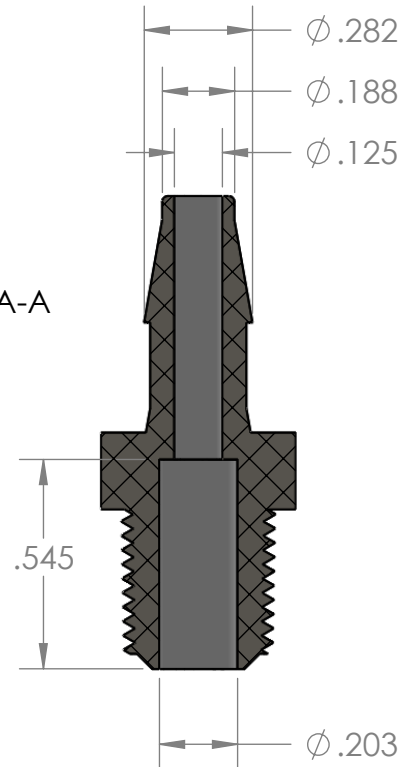


SECTION A-A



PROPRIETARY AND CONFIDENTIAL

**Description**

THE INFORMATION CONTAINED IN THIS DRAWING IS THE SOLE PROPERTY OF INDUSTRIAL SPECIALTIES MFG. AND IS MED SPECIALITES. ANY REPRODUCTION IN PART OR AS A WHOLE WITHOUT THE WRITTEN PERMISSION OF INDUSTRIAL SPECIALTIES MFG. AND IS MED SPECIALITES IS PROHIBITED.

3/16" Hose Barb x 1/8" Male NPT Adapter, Natural Polypropylene

MFR# CGA67-PR0

NAME	DATE
M.E.	7/6/2016

SHEET 1 OF 1

SCALE: 2:1

DO NOT SCALE DRAWING

<b>PART#</b>	BFA-316-2-PP	REV	1
--------------	--------------	-----	---

**Industrial Specialties Mfg.**  
**IS Med Specialties**  
 www.industrial-spec.com  
 800-781-8487