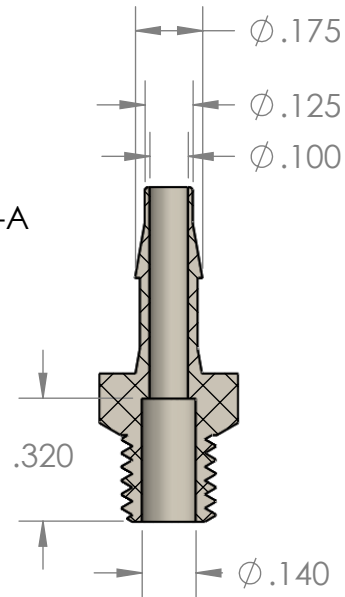


SECTION A-A



PROPRIETARY AND CONFIDENTIAL

Description

1/8" Hose Barb x 1/4-28 Male UNF Adapter,
Natural Polypropylene

MFR# CGA64-PRO

THE INFORMATION CONTAINED IN THIS DRAWING IS THE SOLE PROPERTY OF INDUSTRIAL SPECIALTIES MFG. AND IS MED SPECIALITES. ANY REPRODUCTION IN PART OR AS A WHOLE WITHOUT THE WRITTEN PERMISSION OF INDUSTRIAL SPECIALTIES MFG. AND IS MED SPECIALITES IS PROHIBITED.

NAME DATE
DRAWN BY: M.E. 7/1/2016

SHEET 1 OF 1

SCALE: 2:1

DO NOT SCALE DRAWING

PART#

BFA-18-1428-PP

REV
1



Industrial Specialties Mfg.

IS Med Specialties

www.industrial-spec.com
800-781-8487