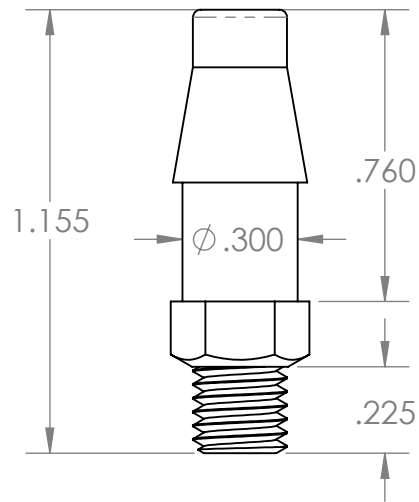
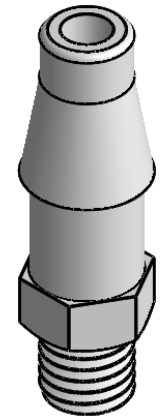


SECTION A-A



PROPRIETARY AND CONFIDENTIAL

**Description**

THE INFORMATION CONTAINED IN THIS DRAWING IS THE SOLE PROPERTY OF INDUSTRIAL SPECIALTIES MFG. AND IS MED SPECIALITES. ANY REPRODUCTION IN PART OR AS A WHOLE WITHOUT THE WRITTEN PERMISSION OF INDUSTRIAL SPECIALTIES MFG. AND IS MED SPECIALITES IS PROHIBITED.

1/4" Hose Barb x 1/4-28 Male UNF Adapter,  
Natural Nylon

MFR# CGA50-NR0

NAME	DATE
M.E.	6/28/2016

**PART#**

BFA-14-1428-N

REV  
1

SHEET 1 OF 1

SCALE: 2:1

DO NOT SCALE DRAWING



**Industrial Specialties Mfg.**

**IS Med Specialties**

www.industrial-spec.com  
800-781-8487